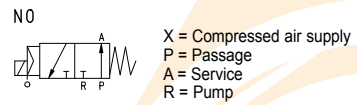
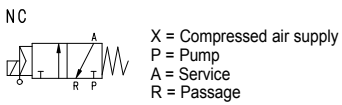
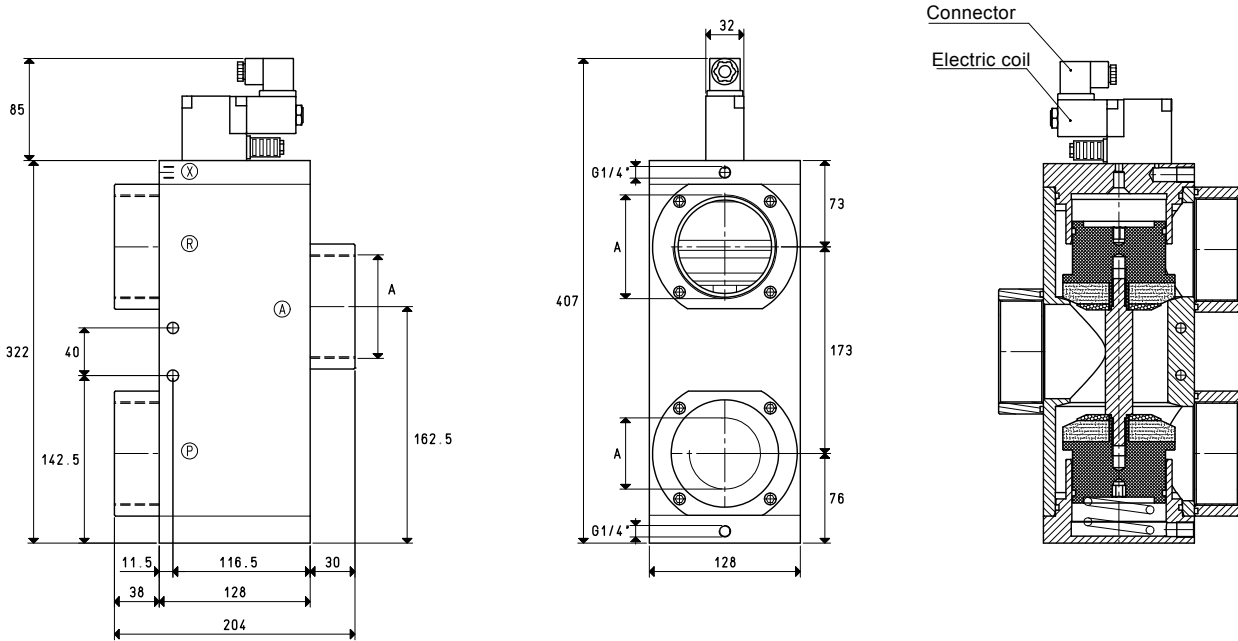


# SERVO-CONTROLLED 3-WAY VACUUM SOLENOID VALVES



Art.	A Ø	Max. capacity cum/h	Vacuum level mbar abs.		Reaction time msec		Ø orifice	Passage section mm <sup>2</sup>	Servo-control pressure bar (g)	Weight Kg
			min	max	exc.	deexc.				
07 09 11	G3"	600	1000	0.5	132	84	80	5024	4 ÷ 8	11.8

**Note:** The coil and the connector are not integral part of the solenoid valves, therefore, they must be ordered separately (See solenoid valve accessories).

Conversion ratio: inch =  $\frac{\text{mm}}{25.4}$ ; pounds =  $\frac{\text{g}}{453.6}$  =  $\frac{\text{Kg}}{0.4536}$