

FLAT OVAL CUPS WITH SUPPORT



These oval cups are recessed on moulders in order to hold a side of the cardboard box during the moulding process by means of traditional cups on the opposite side. Once assembled with their support, they can be used for handling boxes, plastic objects or anything with a limited gripping surface.

Their anodised aluminium support have a central threaded hole to fasten it to the machine. They are also provided with a nickel-plated brass plate to hold the cup in its housing and with one or two stainless steel screws for fixing them. For the spare part, all you have to do is request the cup indicated in the table in the desired compound.

CUP					
Art.	Force Kg	A	B	C	D
01 12 20 *	0.52	15	11.5	17	20

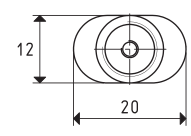
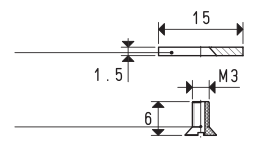
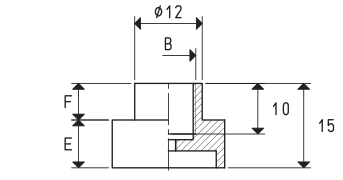
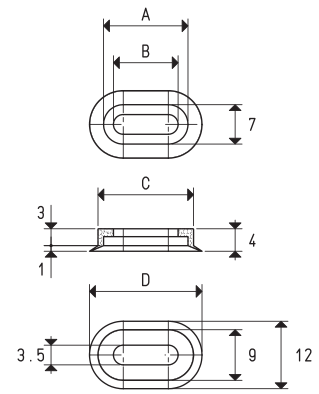
* Complete the code indicating the compound: A= oil-resistant rubber; N= natural para rubber; S= silicon

SUPPORT						
Art.	B Ø	E	F	Support material	Cup art.	Weight g
00 08 70	G1/8"	8.5	6.5	aluminium	01 12 20	5.4

fixing plate art. **00 08 97**

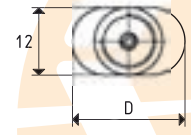
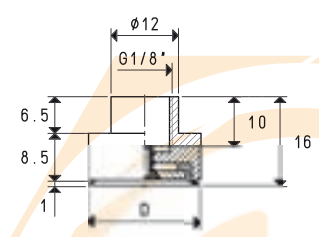
TSP M3x5 screw art. **00 08 103**

Note: By ordering art. **00 08 70**, the fixing plate and the TSP screw will also be provided.

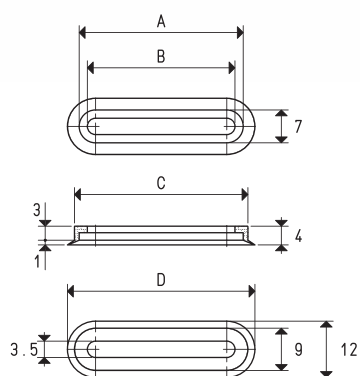


CUP WITH SUPPORT					
Art.	Force Kg	D	Cup Art.	Support Art.	Weight g
08 12 20 *	0.52	20	01 12 20	00 08 70	5.8

* Complete the code indicating the compound: A= oil-resistant rubber; N= natural para rubber; S= silicon



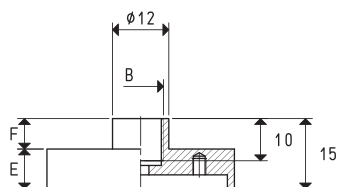
FLAT OVAL CUPS WITH SUPPORT



CUPS

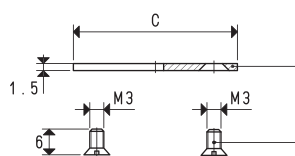
Art.	Force Kg	A	B	C	D
01 12 30 *	0.82	25	21.5	27	30
01 12 40 *	1.12	35	31.5	37	40
01 12 50 *	1.57	50	46.5	52	55

* Complete the code indicating the compound: A= oil-resistant rubber; N= natural para rubber; S= silicon



SUPPORTS

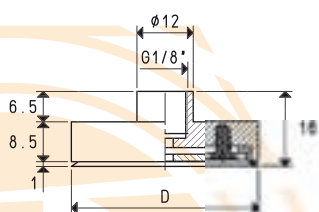
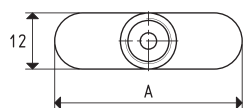
Art.	A	B Ø	C	E	F	Support material	Cup art.	Weight g
00 08 71	30	G1/8"	25	8.5	6.5	aluminium	01 12 30	7.8
00 08 75	40	G1/8"	35	8.5	6.5	aluminium	01 12 40	11.4
00 08 76	55	G1/8"	50	8.5	6.5	aluminium	01 12 50	15.5



fixing plate art. **00 08 98** for supp. **00 08 71**
 art. **00 08 99** for supp. **00 08 75**
 art. **00 08 100** for supp. **00 08 76**

2 TSP screws M3x5 art. **00 08 102**

Note: By ordering the art. referring to the support, the fixing plate and the TSP screws will also be provided



CUPS WITH SUPPORT

Art.	Force Kg	D	Cup Art.	Support Art.	Weight g
08 12 30 *	0.82	30	01 12 30	00 08 71	8.3
08 12 40 *	1.12	40	01 12 40	00 08 75	12.0
08 12 50 *	1.57	55	01 12 50	00 08 76	16.2

* Complete the code indicating the compound: A= oil-resistant rubber; N= natural para rubber; S= silicon