

## OVAL CUPS WITH VULCANISED SUPPORT



The cups described in this page have been designed for handling X-ray sheets in hospital or other electrostatically charged films.

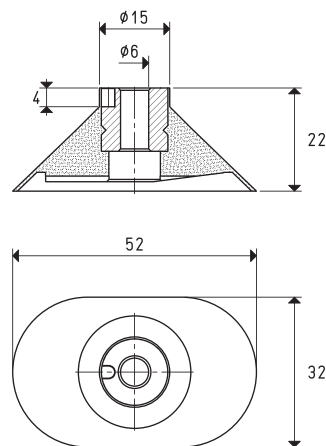
Their shape allows them to pick up one sheet at a time without deforming or crumpling the gripping surface and without leaving stains or prints, thanks to the special compound with which they are made. Their aluminium supports are vulcanised onto the cups.

One with a smooth hole for fixing the cup to the machine with an allen screw, with the housing on the inside and one with a threaded hole. A side slot on the support prevents the cup from rotating. These cups are recommended for gripping and handling magnetic sheets, plastic sheets, thin rubber sheets, laminated cardboard, etc.

CUP WITH VULCANISED SUPPORT

Art.	Force Kg	Support material	Weight g
08 32 52 *	3.00	aluminium	12.1

\* Complete the code indicating the compound: A= oil-resistant rubber; N= natural para rubber; S= silicon



CUP WITH VULCANISED SUPPORT

Art.	Force Kg	Support material	Weight g
08 32 99 *	3.00	aluminium	11.9

\* Complete the code indicating the compound: A= oil-resistant rubber; N= natural para rubber; S= silicon

