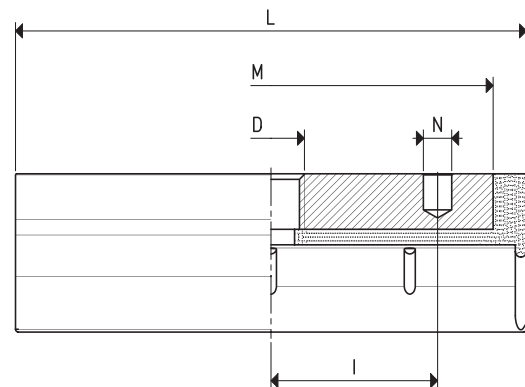
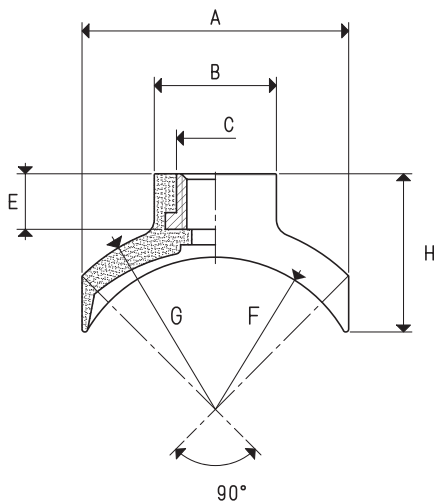


CONCAVE CUPS WITH VULCANISED SUPPORT

These cups have been designed for handling cylindrical objects, such as pipes, bottles, round profiles, etc. Its aluminium support is vulcanised onto the cup and it is provided with a central threaded hole to ease its fastening to the machine and with a side hole for the possible insertion of a guiding, anti-rotation pin.

These cups can be provided in the three standard compounds: oil-resistant rubber A, natural para rubber N and silicon S.



CONCAVE CUPS WITH VULCANISED SUPPORT

Art.	Force Kg	gripping Ø		A	B	C	D Ø	E	F	G	H	I	L	M	N Ø	Support material	Weight g
		min	max														
08 30 60 *	3.5	30	45	26	15	10	M8	8	16	19	20.0	20	60	50	4.1	aluminium	20.3
08 40 90 *	8.6	50	80	40	20	14	M12	10	23	28	25.0	30	92	80	5.1	aluminium	54.8
08 50 90 *	10.5	60	95	48	22	14	M12	10	28	34	28.5	30	92	80	5.1	aluminium	62.5

* Complete the code indicating the compound: A= oil-resistant rubber; N= natural para rubber; S= silicon