

MINI CUP HOLDERS WITH COMPACT STROKE

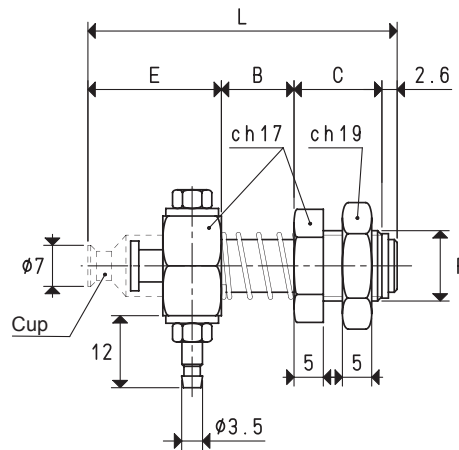
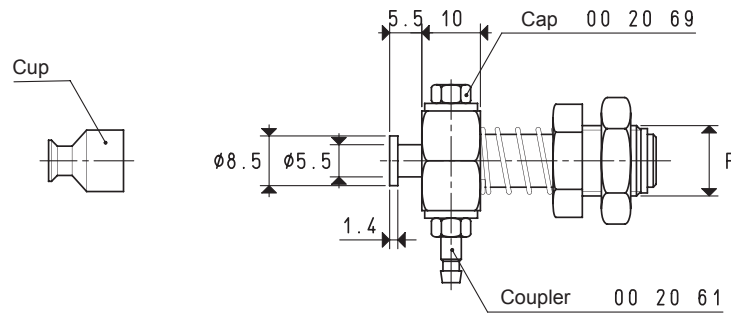
The shorter stroke and their particular shape allow for a further bulk and weight reduction of these cup holders.

The components are practically the same, only the vacuum fittings are different, since in these cup holders they are a radial standard hose-end fitting (two upon request).

They are particularly suited for small cups to be manually assembled with diameters ranging between 10 and 30 mm.



VERSION 20 07 13



CUP HOLDERS WITH STRAIGHT COUPLER FOR PLASTIC HOSE

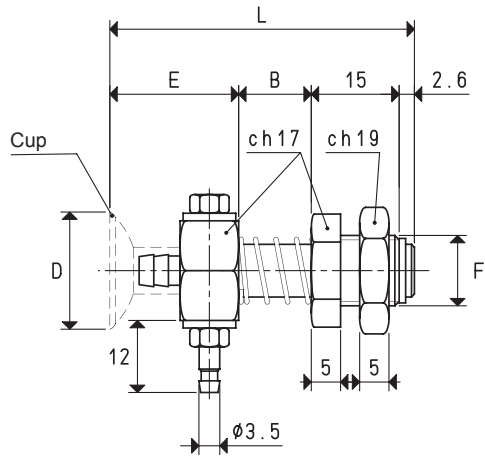
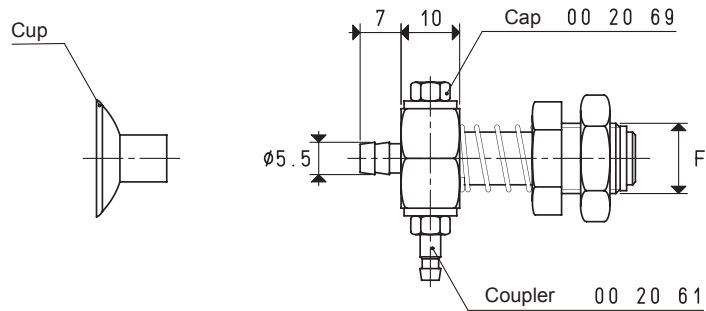
Art.	Force Kg	B stroke	C	E	F ϕ	L	Cup art.	Weight g
20 07 13	0.09	12.4	15	23	M12 x 1.25	53	01 07 13	56.6

Note: Cups are not an integral part of the cup holders, therefore, they must be ordered separately.

MINI CUP HOLDERS WITH COMPACT STROKE



VERSION 20 .. 10



CUP HOLDERS WITH STRAIGHT COUPLER FOR PLASTIC HOSE

Art.	Force Kg	B stroke	D Ø	E	F Ø	L	Cup art.	Weight g
20 10 10	0.19	12.4	10	21	M12 x 1.25	51	01 10 10	56.0
20 12 10	0.28	12.4	12	21	M12 x 1.25	51	01 12 10	56.6
20 15 10	0.44	12.4	15	22	M12 x 1.25	52	01 15 10	56.7
20 18 10	0.63	12.4	18	22	M12 x 1.25	52	01 18 10	56.7
20 20 10	0.78	12.4	20	22	M12 x 1.25	52	01 20 10	56.8
20 22 10	0.95	12.4	22	23	M12 x 1.25	53	01 22 10	57.2

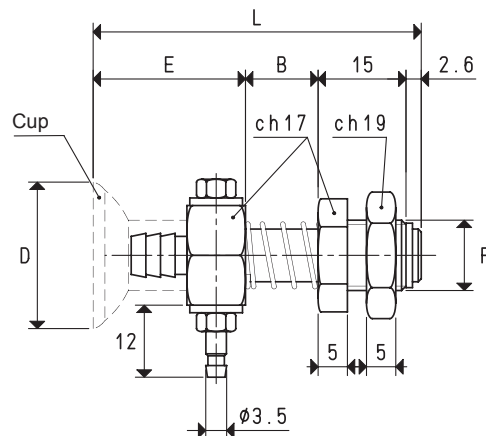
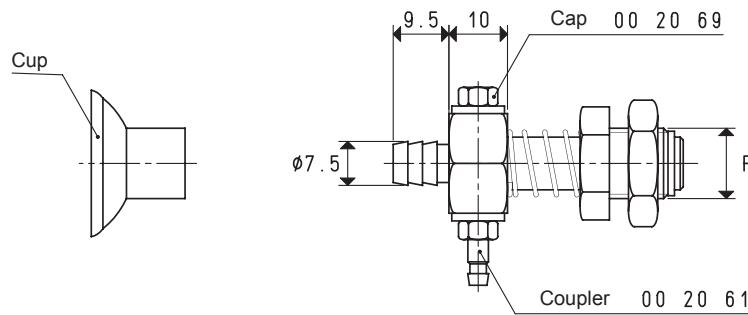
Note: Cups are not an integral part of the cup holders, therefore, they must be ordered separately.

Conversion ratio: inch = $\frac{\text{mm}}{25.4}$; pounds = $\frac{\text{g}}{453.6}$ = $\frac{\text{Kg}}{0.4536}$

MINI CUP HOLDERS WITH COMPACT STROKE



VERSION 20 .. 10



CUP HOLDERS WITH STRAIGHT COUPLER FOR PLASTIC HOSE

Art.	Force Kg	B stroke	D ∅	E	F ∅	L	Cup art.	Weight g
20 25 10	1.23	12.4	25	26	M12 x 1.25	56	01 25 15	58.0
20 30 10	1.76	12.4	30	26	M12 x 1.25	56	01 30 15	58.7

Note: Cups are not an integral part of the cup holders, therefore, they must be ordered separately.