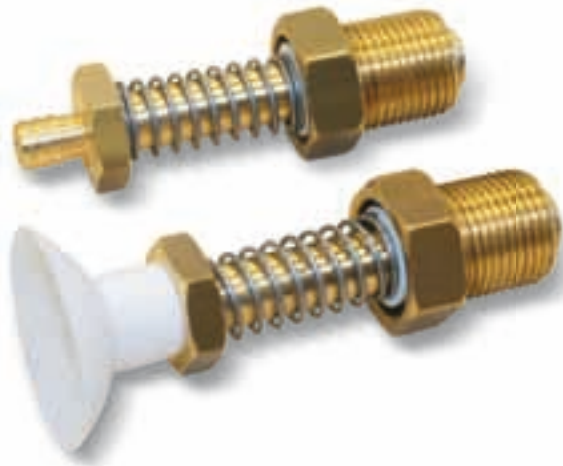


MINI CUP HOLDERS WITH BUILT-IN BUSH

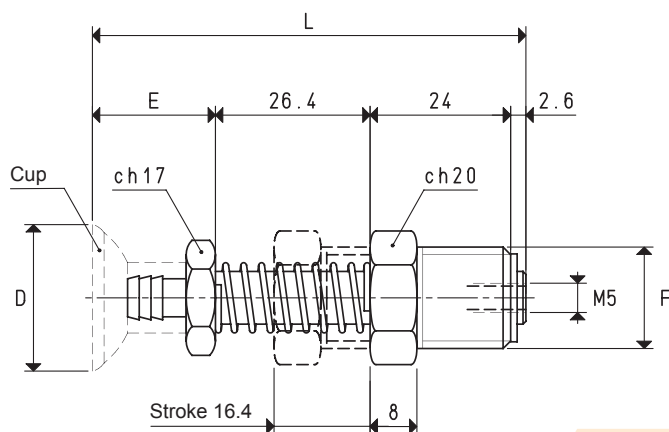
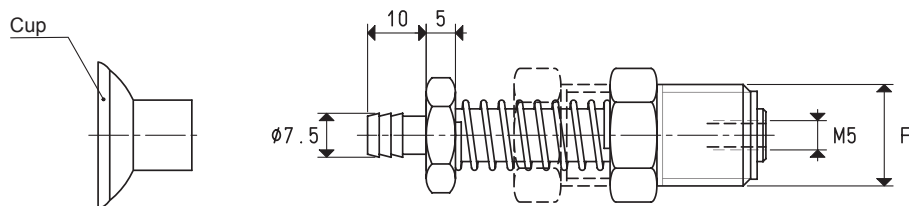
The reduced size and the particular shape of these cup holders allow them to be directly assembled to the vacuum manifold, saving time and eliminating pipes and fittings.

The hexagonal bush, for the cup holder assembly with the vacuum manifold, is equipped with a seal. It's function is to guide and seal the brass cup fixing stem.



2

VERSION 20 .. 11



Art.	Force Kg	D Ø	E	F Ø	L	Cup art.	Weight g
20 25 11	1.23	25	21	G3/8"	74	01 25 15	70.0
20 30 11	1.76	30	22	G3/8"	75	01 30 15	70.7

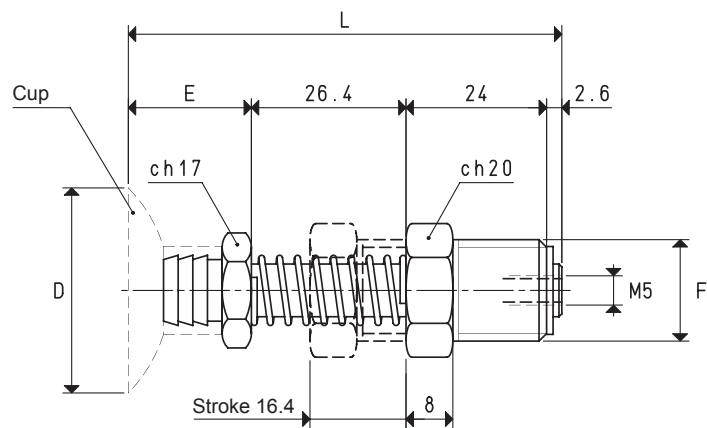
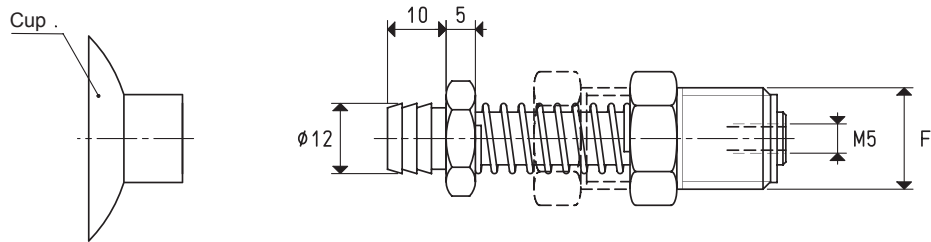
Note: Cups are not an integral part of the cup holders, therefore, they must be ordered separately.

Conversion ratio: inch = $\frac{\text{mm}}{25.4}$; pounds = $\frac{\text{g}}{453.6}$ = $\frac{\text{Kg}}{0.4536}$

MINI CUP HOLDERS WITH BUILT-IN BUSH



VERSION 20 . . 11



3D drawings available at www.vuototecnica.net

Art.	Force Kg	D Ø	E	F Ø	L	Cup art.	Weight g
20 35 11	2.40	35	21	G3/8"	74	01 35 15	76.6
20 40 11	3.14	40	23	G3/8"	76	01 40 15	77.1
20 45 11	3.98	45	28	G3/8"	81	01 45 15	80.6

Note: Cups are not an integral part of the cup holders, therefore, they must be ordered separately.