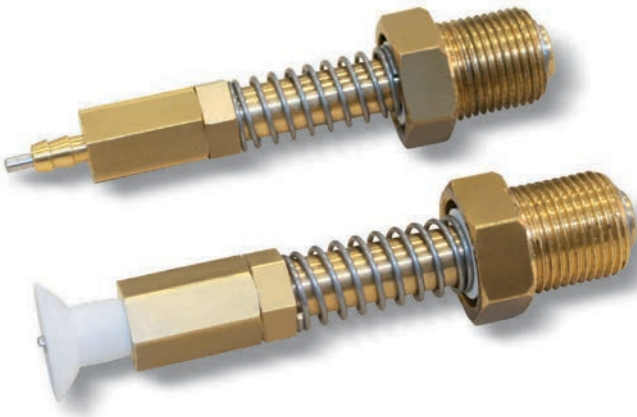
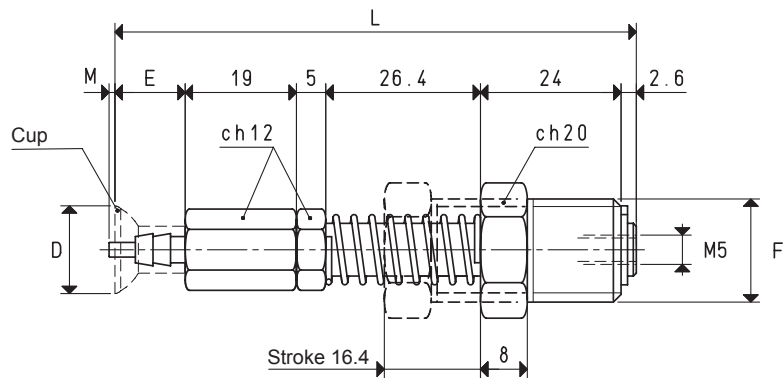
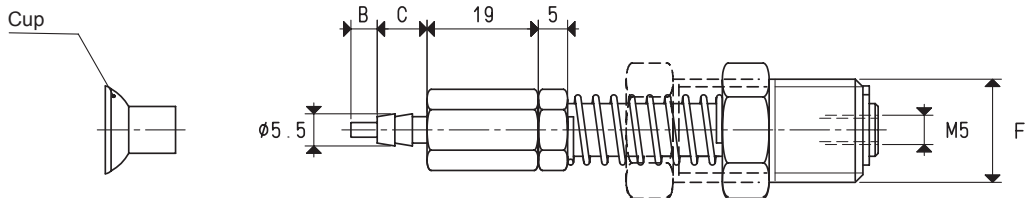


## MINI CUP HOLDERS WITH PLUNGER VALVE AND BUILT-IN BUSH

The technical and mechanical features are the same as for the mini cup holders with plunger valve. Their distinctive feature is their threaded hexagonal bush, which allows them to be directly assembled to the vacuum manifold, thus saving time and eliminating pipes and fittings.



VERSION 20 ... 65

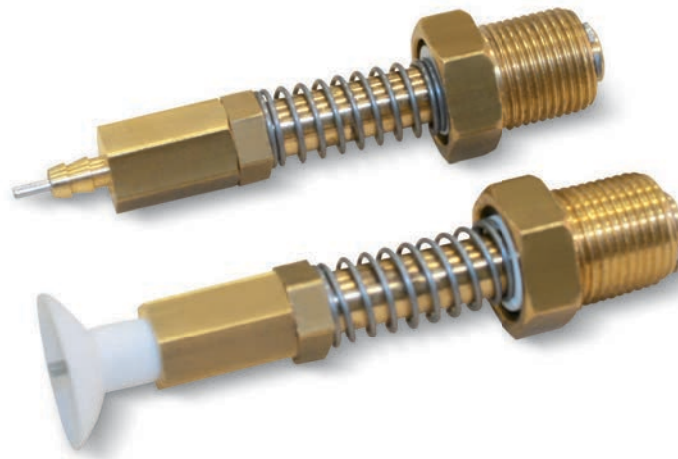


Art.	Force Kg	B	C	D Ø	E	F Ø	L	M	Cup art.	Weight g
20 12 65	0.28	4.5	8.5	12	11	G3/8"	88	2	01 12 10	76.6
20 15 65	0.44	4.5	8.5	15	12	G3/8"	89	1	01 15 10	76.7
20 18 65	0.63	4.5	8.5	18	12	G3/8"	89	1	01 18 10	76.7

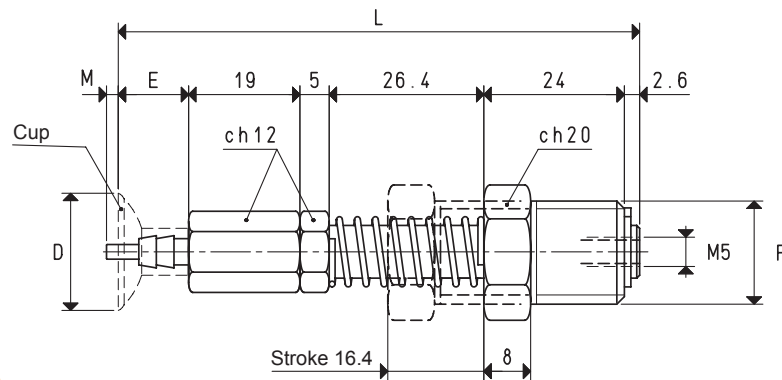
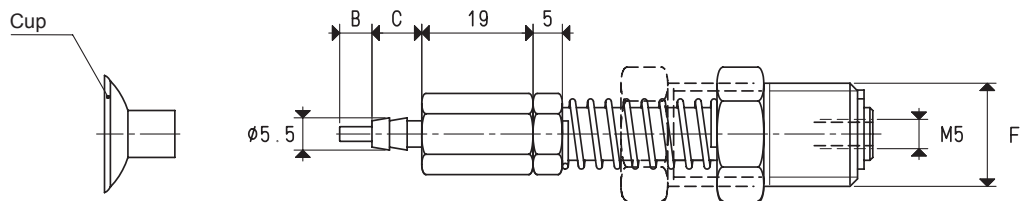
**Note:** Cups are not an integral part of the cup holders, therefore, they must be ordered separately.

Conversion ratio: inch =  $\frac{\text{mm}}{25.4}$  ; pounds =  $\frac{\text{g}}{453.6}$  =  $\frac{\text{Kg}}{0.4536}$

# MINI CUP HOLDERS WITH PLUNGER VALVE AND BUILT-IN BUSH



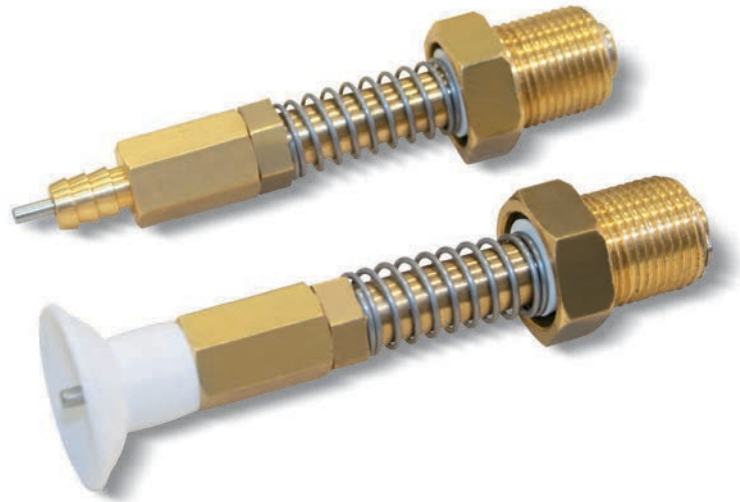
VERSION 20 .. 65



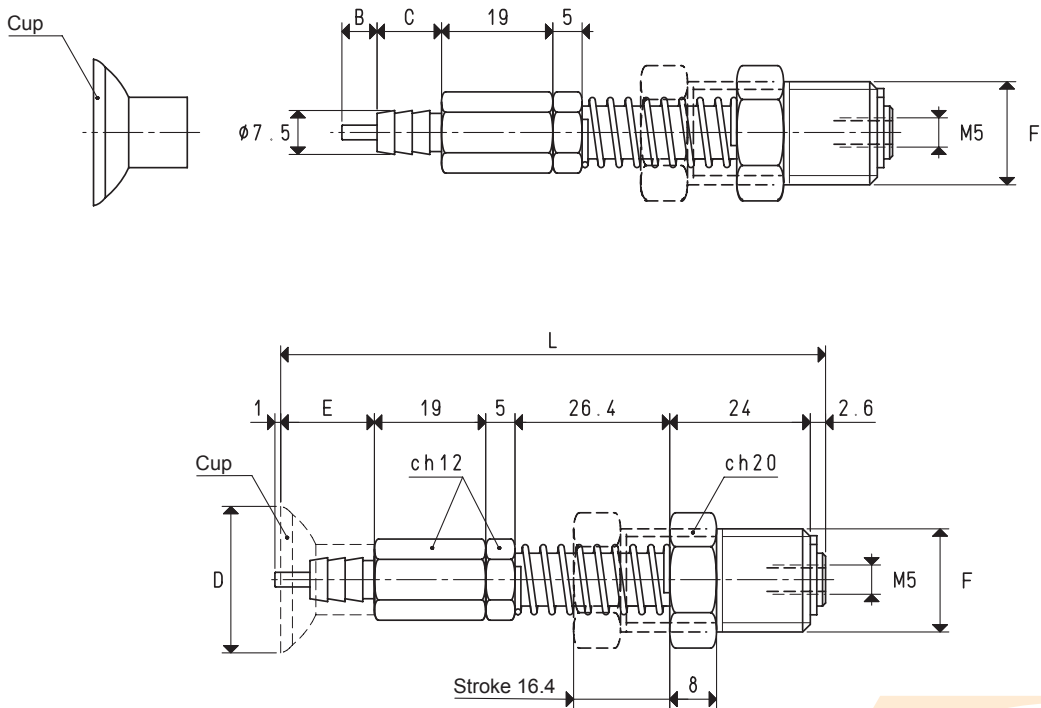
Art.	Force Kg	B	C	D Ø	E	F Ø	L	M	Cup art.	Weight g
20 20 65	0.78	5.5	8.5	20	12	G3/8"	89	2	01 20 10	76.8
20 22 65	0.95	5.5	8.5	22	13	G3/8"	90	1	01 22 10	77.2

**Note:** Cups are not an integral part of the cup holders, therefore, they must be ordered separately.

# MINI CUP HOLDERS WITH PLUNGER VALVE AND BUILT-IN BUSH



VERSION 20 25 65

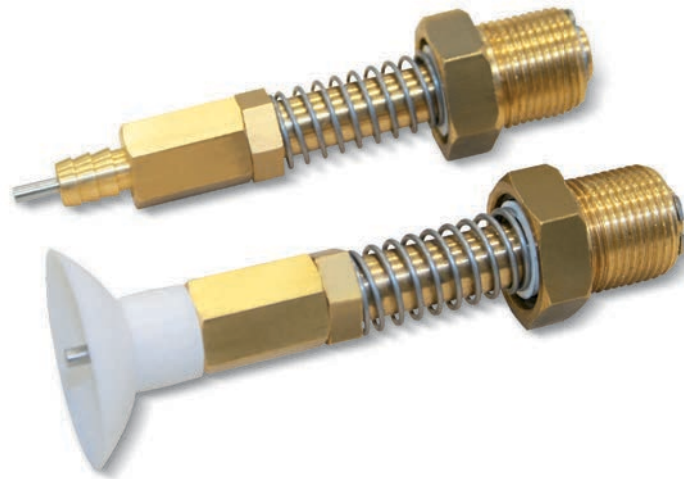


Art.	Force Kg	B	C	D Ø	E	F Ø	L	Cup art.	Weight g
20 25 65	1.23	6	11	25	16	G3/8"	93	01 25 15	80

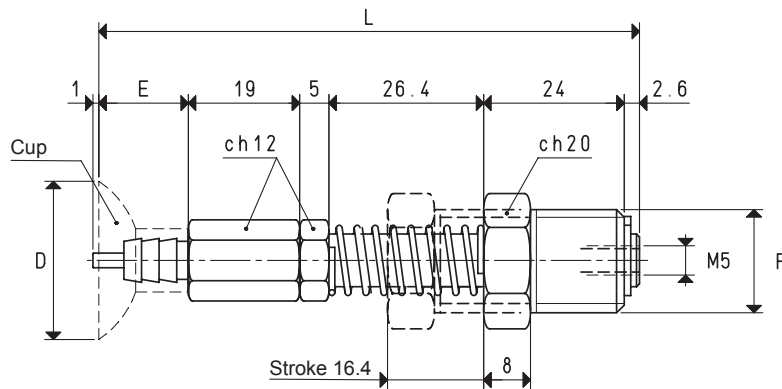
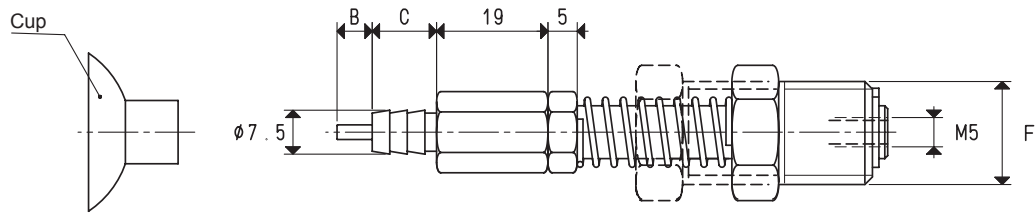
**Note:** Cups are not an integral part of the cup holders, therefore, they must be ordered separately.

Conversion ratio: inch =  $\frac{mm}{25.4}$  ; pounds =  $\frac{g}{453.6} = \frac{Kg}{0.4536}$

# MINI CUP HOLDERS WITH PLUNGER VALVE AND BUILT-IN BUSH



VERSION 20 30 65



3D drawings available at [www.vuototecnica.net](http://www.vuototecnica.net)

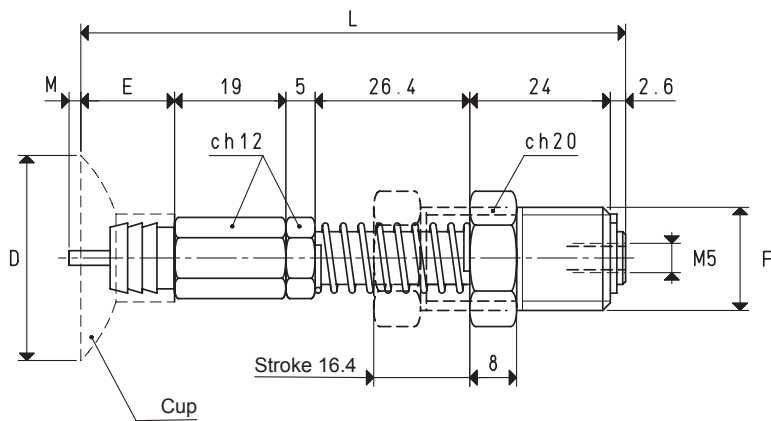
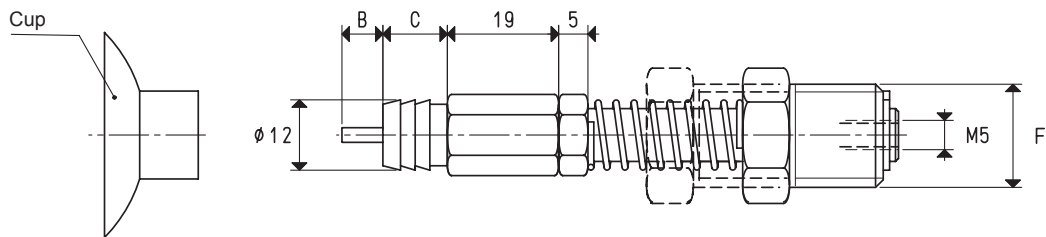
Art.	Force Kg	B	C	D Ø	E	F Ø	L	Cup art.	Weight g
20 30 65	1.76	7	11	30	17	G3/8"	94	01 30 15	82.7

**Note:** Cups are not an integral part of the cup holders, therefore, they must be ordered separately.

# MINI CUP HOLDERS WITH PLUNGER VALVE AND BUILT-IN BUSH



VERSION 20 .. 65



Art.	Force Kg	B	C	D Ø	E	F Ø	L	M	Cup art.	Weight g
20 35 65	2.40	7	11	35	16	G3/8"	93	2	01 35 15	82.6
20 40 65	3.14	7	11	40	18	G3/8"	95	0	01 40 15	83.1

**Note:** Cups are not an integral part of the cup holders, therefore, they must be ordered separately.

Conversion ratio: inch =  $\frac{mm}{25.4}$  ; pounds =  $\frac{g}{453.6}$  =  $\frac{Kg}{0.4536}$