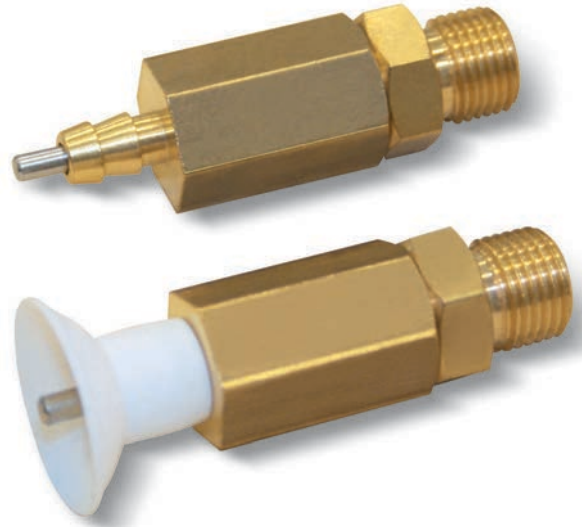
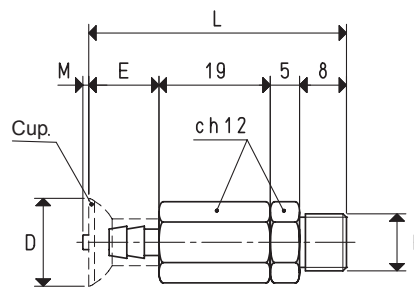
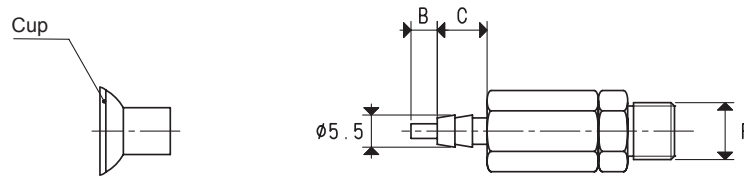


MINI CUP HOLDERS WITH PLUNGER VALVE, WITH NO SPRINGING

They have the same function as the mini cup holders with plunger valve but, for further bulk reduction, the cushioning spring, the threaded pipe with nuts for fixing to the machine and the quick coupler have been removed. This type of cup holders is to be directly assembled to the vacuum manifold. To allow a quick assembly, its end is provided with a threaded male shank.



VERSION 20 .. 61



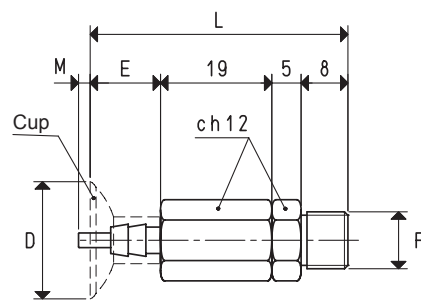
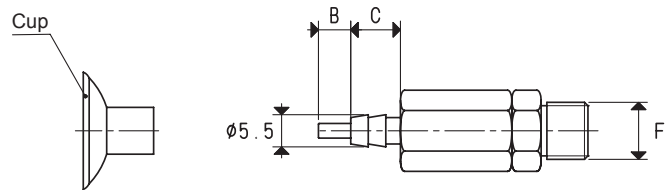
Art.	Force Kg	B	C	D Ø	E	F Ø	L	M	Cup art.	Weight g
20 12 61	0.28	4.5	8.5	12	11	G1/8"	43	2	01 12 10	24.6
20 15 61	0.44	4.5	8.5	15	12	G1/8"	44	1	01 15 10	24.7
20 18 61	0.63	4.5	8.5	18	12	G1/8"	44	1	01 18 10	24.7

Note: Cups are not an integral part of the cup holders, therefore, they must be ordered separately.

MINI CUP HOLDERS WITH PLUNGER VALVE, WITH NO SPRINGING



VERSION 20 .. 61

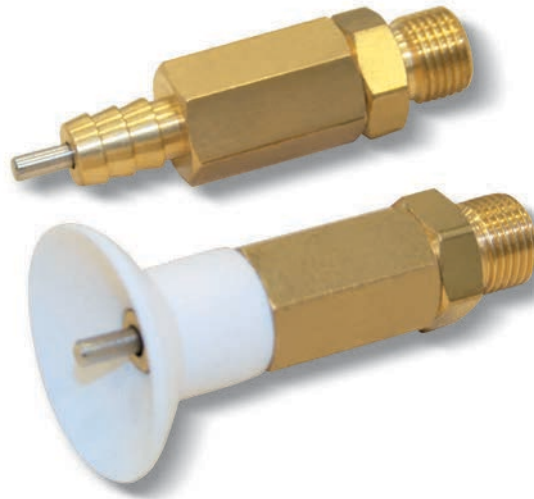


Art.	Force Kg	B	C	D ∅	E	F ∅	L	M	Cup art.	Weight g
20 20 61	0.78	5.5	8.5	20	12	G1/8"	44	2	01 20 10	26.8
20 22 61	0.95	5.5	8.5	22	13	G1/8"	45	1	01 22 10	27.2

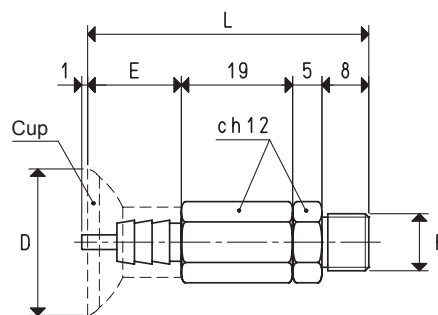
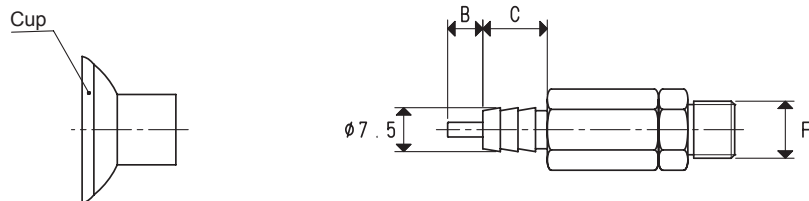
Note: Cups are not an integral part of the cup holders, therefore, they must be ordered separately.

Conversion ratio: inch = $\frac{mm}{25.4}$; pounds = $\frac{g}{453.6}$ = $\frac{Kg}{0.4536}$

MINI CUP HOLDERS WITH PLUNGER VALVE, WITH NO SPRINGING



VERSION 20 25 61

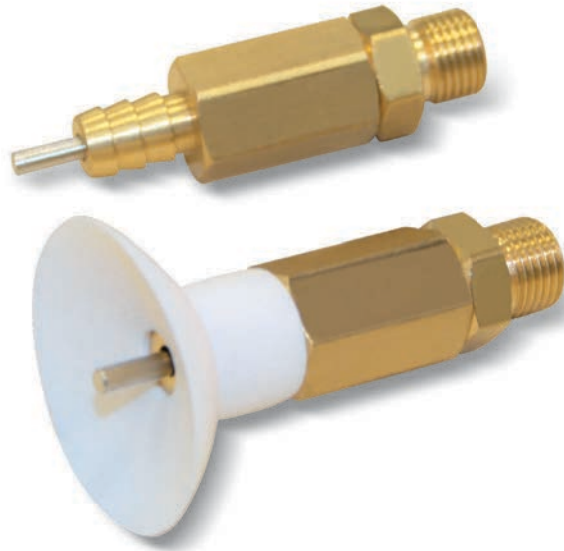


3D drawings available at www.vuototecnica.net

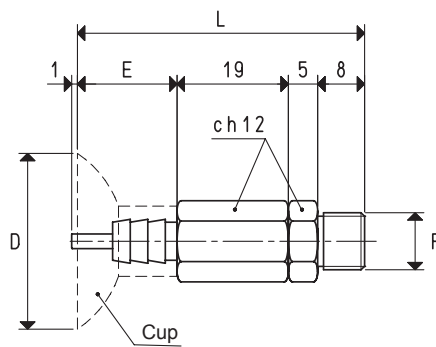
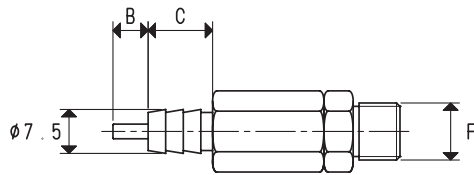
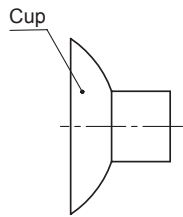
Art.	Force Kg	B	C	D Ø	E	F Ø	L	Cup art.	Weight g
20 25 61	1.23	6	11	25	16	G1/8"	48	01 25 15	26

Note: Cups are not an integral part of the cup holders, therefore, they must be ordered separately.

MINI CUP HOLDERS WITH PLUNGER VALVE, WITH NO SPRINGING



VERSION 20 30 61



Art.	Force Kg	B	C	D ϕ	E	F ϕ	L	Cup art.	Weight g
20 30 61	1.76	7	11	30	17	G1/8"	49	01 30 15	28.6

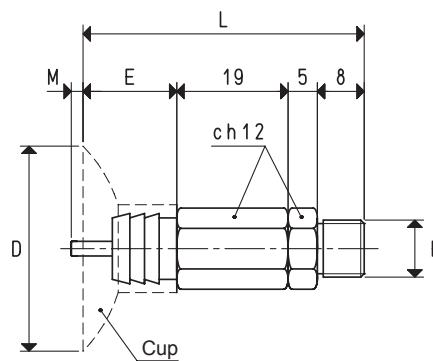
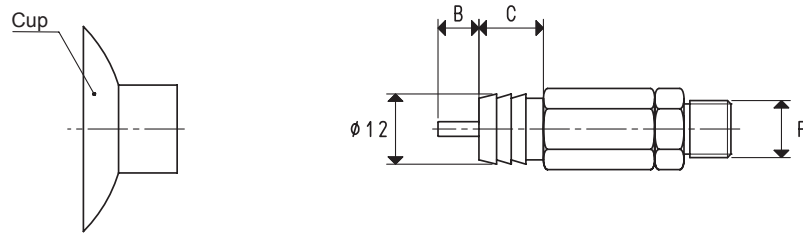
Note: Cups are not an integral part of the cup holders, therefore, they must be ordered separately.

Conversion ratio: inch = $\frac{mm}{25.4}$; pounds = $\frac{g}{453.6}$ = $\frac{Kg}{0.4536}$

MINI CUP HOLDERS WITH PLUNGER VALVE, WITH NO SPRINGING



VERSION 20 .. 61



3D drawings available at www.vuototecnica.net

Art.	Force Kg	B	C	D Ø	E	F Ø	L	M	Cup art.	Weight g
20 35 61	2.40	7	11	35	16	G1/8"	48	2	01 35 15	34.6
20 40 61	3.14	7	11	40	18	G1/8"	50	0	01 40 15	35.1

Note: Cups are not an integral part of the cup holders, therefore, they must be ordered separately.