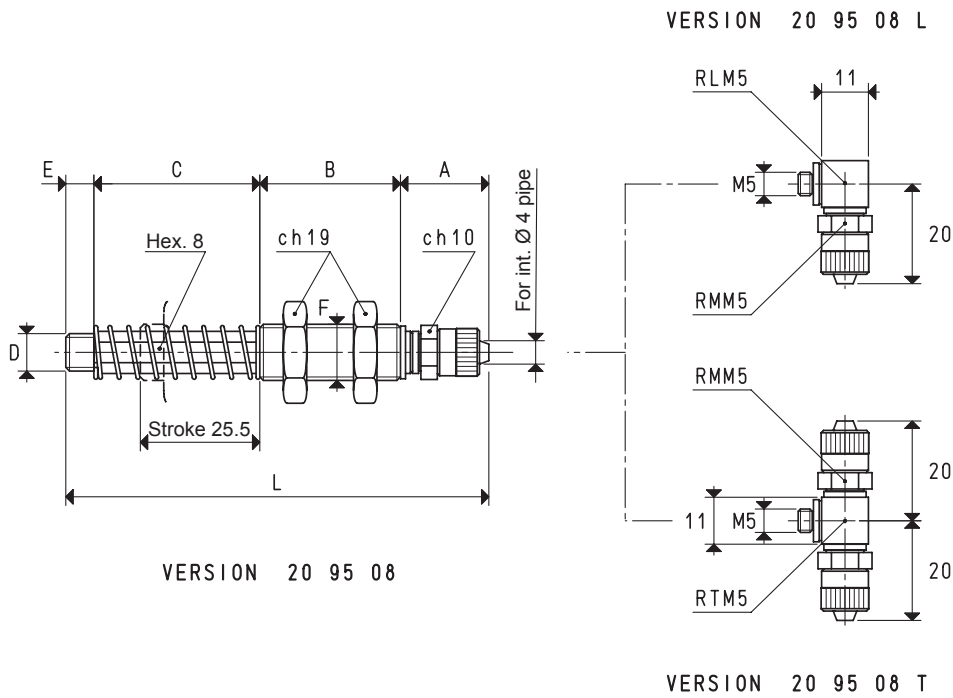
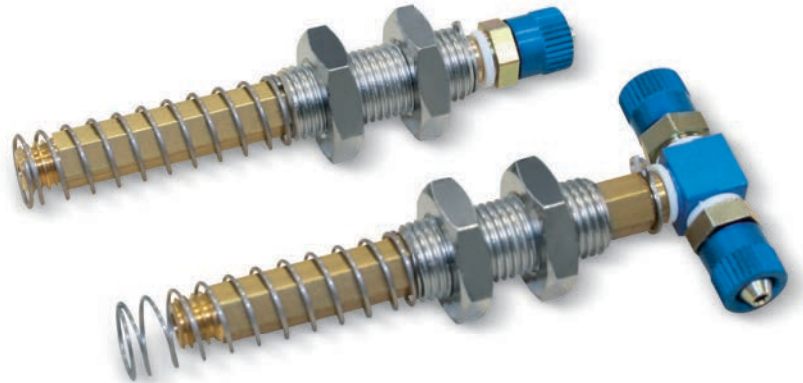


MINI ANTI-ROTATION CUP HOLDERS

The distinctive features of these cup holders are the brass stem with hexagonal section and the steel drive bush with hexagonal hole. This prevents the stem from rotating on its axis, and, as a consequence, also the cup and its support from rotating. They are suited for cups with male or female support with diameters ranging from 10 mm to 60 mm, but they have been specially designed for the installation of rectangular, concave and oval cups.

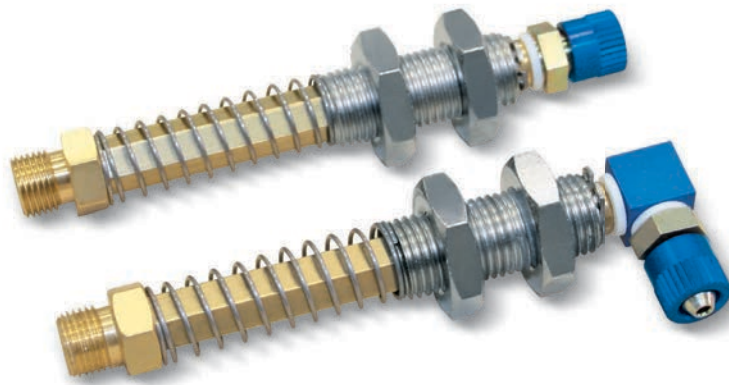


3D drawings available at www.vuototecnica.net

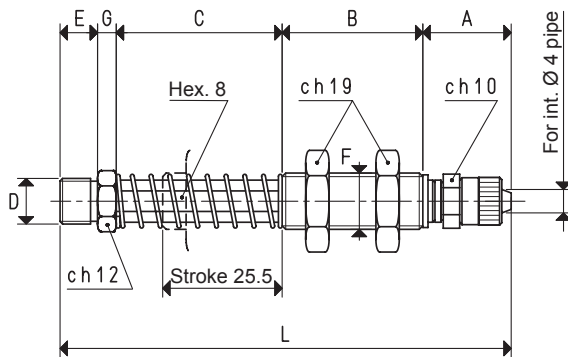
CUP HOLDERS WITH STRAIGHT QUICK COUPLER FOR PLASTIC HOSE Ø 4 X 6

Art.	A	B	C	D	E	F	L	Weight
				Ø		Ø		g
20 95 08	17.5	30	35.5	M8	6	M12 x 1.25	89	58

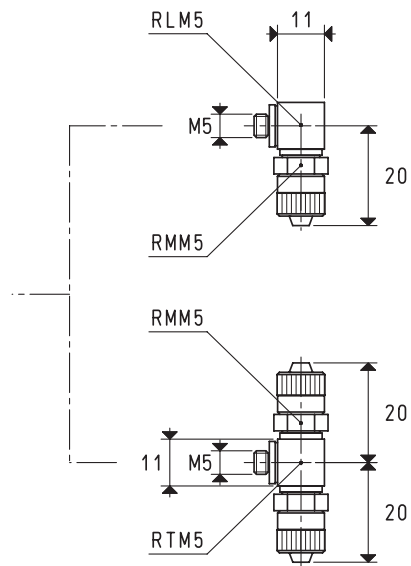
Note: add the letter L or T to order cup holders with L-type or T-type fittings.



VERSION 20 95 28 L



VERSION 20 95 28



VERSION 20 95 28 T

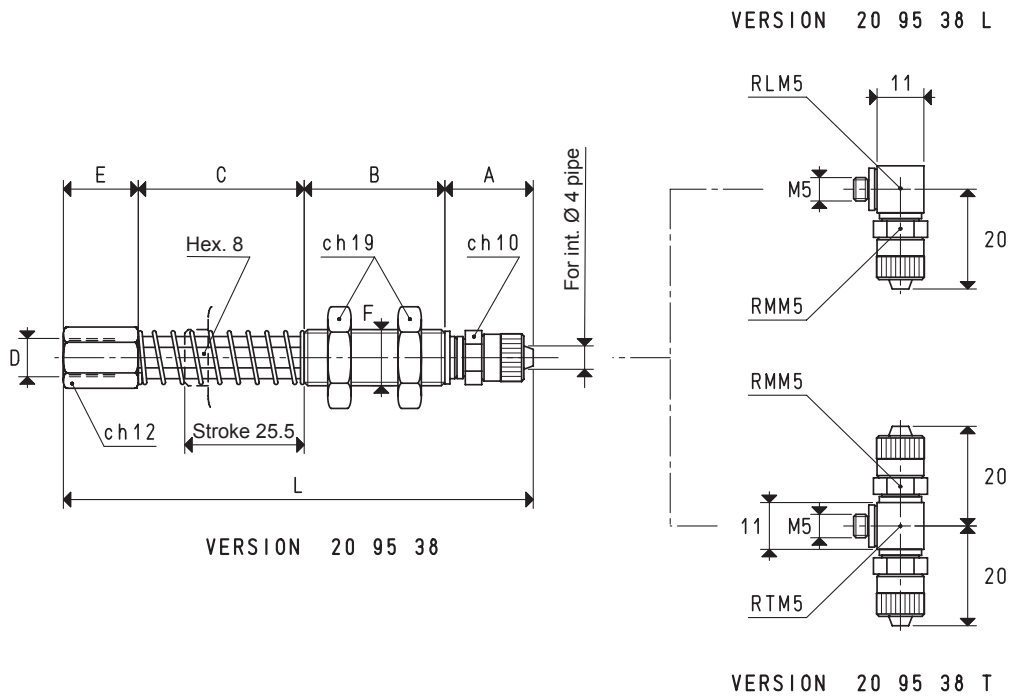
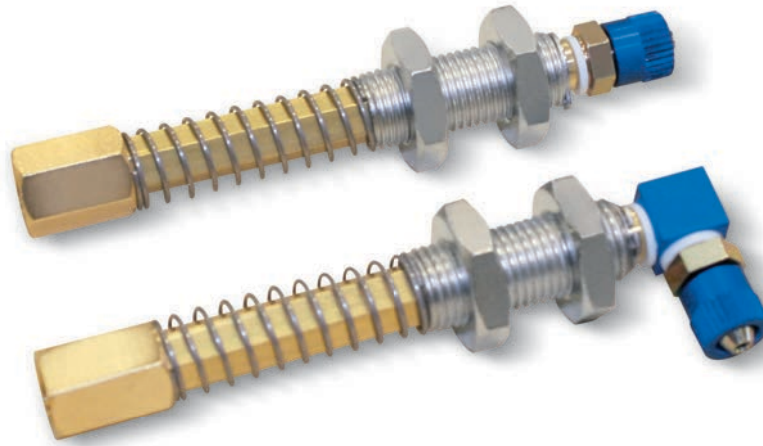
CUP HOLDERS WITH STRAIGHT QUICK COUPLER FOR PLASTIC HOSE Ø 4 X 6

Art.	A	B	C	D	E	F	G	L	Weight
				Ø		Ø			g
20 95 28	17.5	30	35.5	G1/8"	8	M12 x 1.25	5	96	60

Note: add the letter L or T to order cup holders with L-type or T-type fittings.

Conversion ratio: inch = $\frac{mm}{25.4}$; pounds = $\frac{g}{453.6}$ = $\frac{Kg}{0.4536}$

MINI ANTI-ROTATION CUP HOLDERS



3D drawings available at www.vuototecnica.net

CUP HOLDERS WITH STRAIGHT QUICK COUPLER FOR PLASTIC HOSE Ø 4 X 6

Art.	A	B	C	D	E	F	L	Weight
				Ø		Ø		g
20 95 38	17.5	30	35.5	G1/8"	16	M12 x 1.25	99	68

Note: add the letter L or T to order cup holders with L-type or T-type fittings.