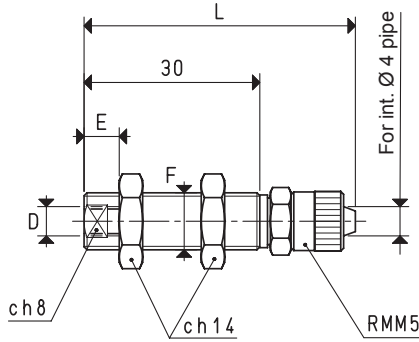
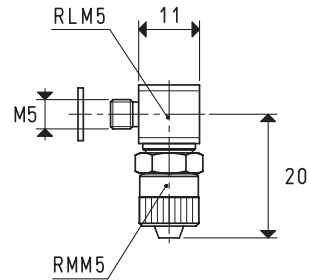


# MINI CUP HOLDERS FIX

They are simply nickel-plated brass threaded bushes with screwing nuts for height adjustment and with threaded ends, one to assemble the vacuum cup with support and the other for the quick coupling connecting the suction hose.



VERSION 20 70 01

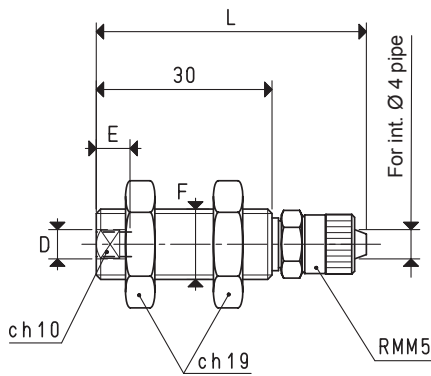


VERSION 20 70 01 L

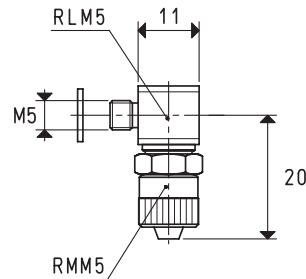
## CUP HOLDERS WITH STRAIGHT QUICK COUPLER FOR PLASTIC HOSE Ø 4 X 6

Art.	D	E	F	L	Weight
	Ø		Ø		g
20 70 01	M5	6	G1/8"	46	19

**Note:** Add the letter L to the code to order L-type fittings.



VERSION 20 70 05



VERSION 20 70 05 L

## CUP HOLDERS WITH STRAIGHT QUICK COUPLER FOR PLASTIC HOSE Ø 4 X 6

Art.	D	E	F	L	Weight
	Ø		Ø		g
20 70 05	M5	6	M12 x 1.25	46	45

**Note:** Add the letter L to the code to order L-type fittings.