

BASIC CUP HOLDERS WITH THREADED MALE AND FEMALE CONNECTORS

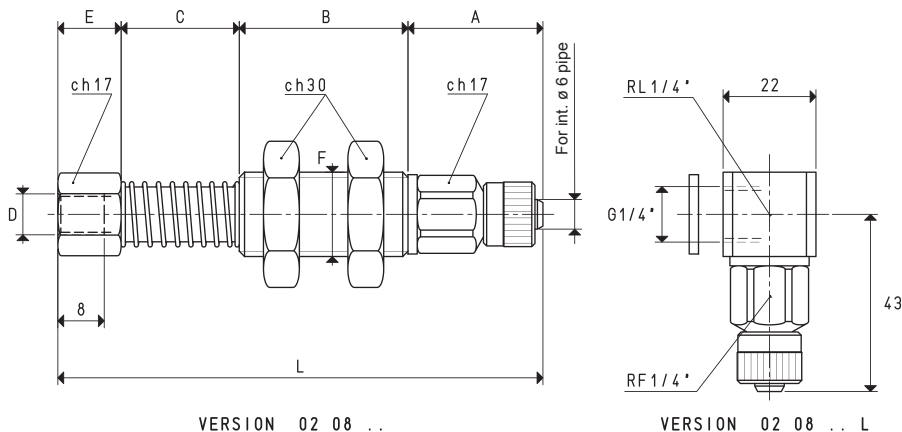


The distinctive feature of these cup holders is the brass stem with a threaded male or female end.
The cups to be assembled onto these cup holders must be equipped with the suited threaded support.

The actual springing stroke is:

- For height C= 28 mm 16 mm
- For height C= 65 mm 49 mm
- For height C= 95 mm 74 mm

Basic cup holders with threaded female connectors



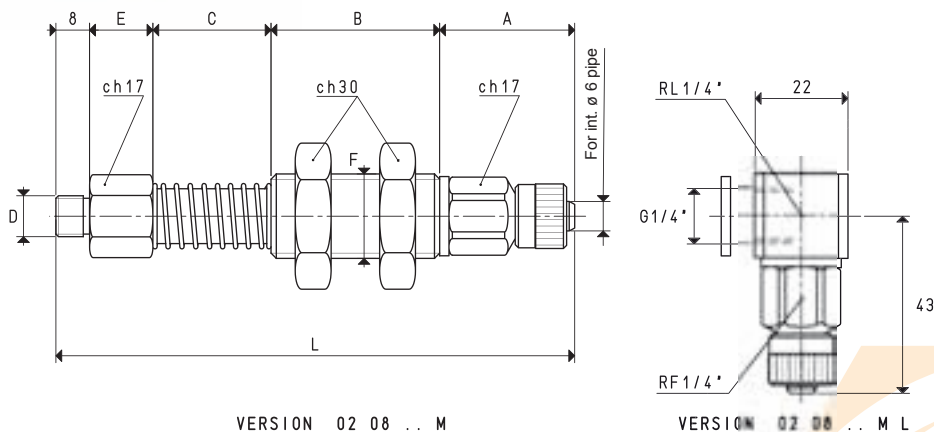
CUP HOLDERS WITH STRAIGHT QUICK COUPLER FOR PLASTIC HOSE Ø 6 X 8

Art.	A	B	C	D Ø	E	F Ø	L	Weight g
02 08 28	32	40	28	G1/8"	15	M20	115	207
02 08 65	32	40	65	G1/8"	15	M20	152	243
02 08 95	32	40	95	G1/8"	15	M20	182	272

Note: Add the letter L to the code to order L-type fittings.



Basic cup holders with threaded male connectors



CUP HOLDERS WITH STRAIGHT QUICK COUPLER FOR PLASTIC HOSE Ø 6 X 8

Art.	A	B	C	D Ø	E	F Ø	L	Weight g
02 08 28 M	32	40	28	G1/8"	15	M20	123	216
02 08 65 M	32	40	65	G1/8"	15	M20	160	252
02 08 95 M	32	40	95	G1/8"	15	M20	190	282

Note: Add the letter L to the code to order L-type fittings.

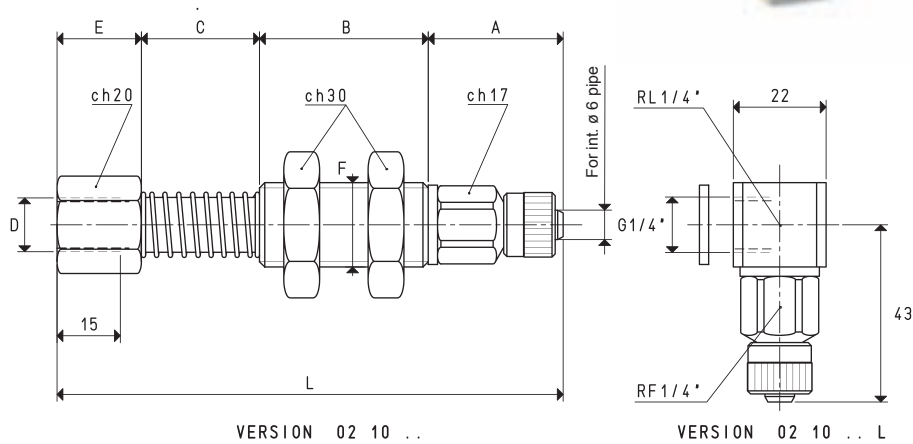
Conversion ratio: inch = $\frac{mm}{25.4}$; pounds = $\frac{g}{453.6}$ = $\frac{Kg}{0.4536}$

BASIC CUP HOLDERS WITH THREADED MALE AND FEMALE CONNECTORS

The actual springing stroke is:

- For height C= 28 mm 16 mm
- For height C= 65 mm 49 mm
- For height C= 95 mm 74 mm

Basic cup holders with threaded female connectors

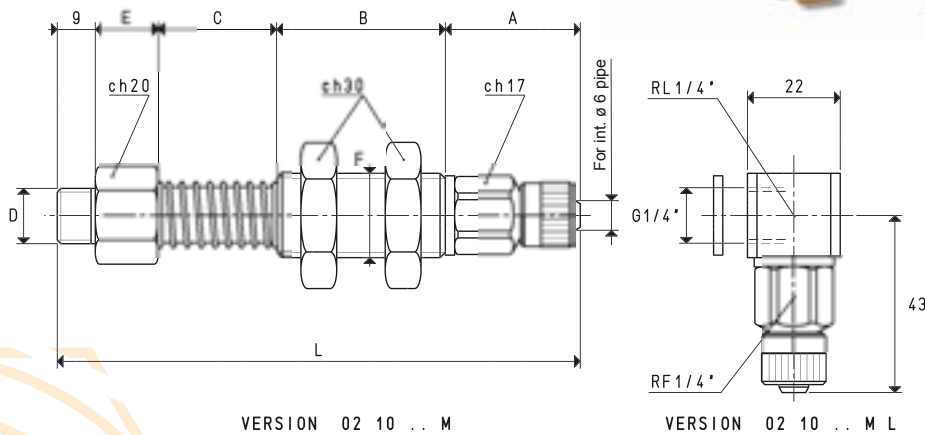


CUP HOLDERS WITH STRAIGHT QUICK COUPLER FOR PLASTIC HOSE Ø 6 X 8

Art.	A	B	C	D	E	F	L	Weight
				Ø		Ø		g
02 10 28	32	40	28	G1/4"	20	M20	120	224
02 10 65	32	40	65	G1/4"	20	M20	157	262
02 10 95	32	40	95	G1/4"	20	M20	187	289

Note: Add the letter L to the code to order L-type fittings.

Basic cup holders with threaded male connectors



CUP HOLDERS WITH STRAIGHT QUICK COUPLER FOR PLASTIC HOSE Ø 6 X 8

Art.	A	B	C	D	E	F	L	Weight
				Ø		Ø		g
02 10 28 M	32	40	28	G1/4"	15	M20	124	225
02 10 65 M	32	40	65	G1/4"	15	M20	161	266
02 10 95 M	32	40	95	G1/4"	15	M20	191	295

Note: Add the letter L to the code to order L-type fittings.

3D drawings available at www.vuototecnica.net

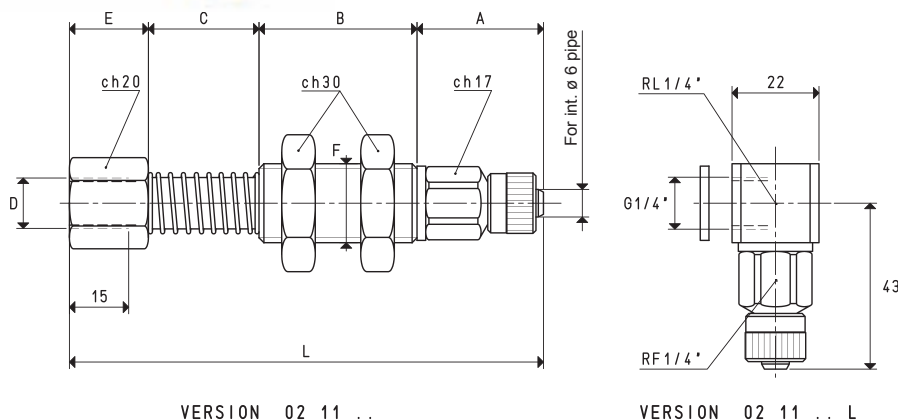
BASIC CUP HOLDERS WITH THREADED MALE AND FEMALE CONNECTORS

The actual springing stroke is:

- For height C= 28 mm 16 mm
- For height C= 65 mm 49 mm
- For height C= 95 mm 74 mm



Basic cup holders with threaded female connectors



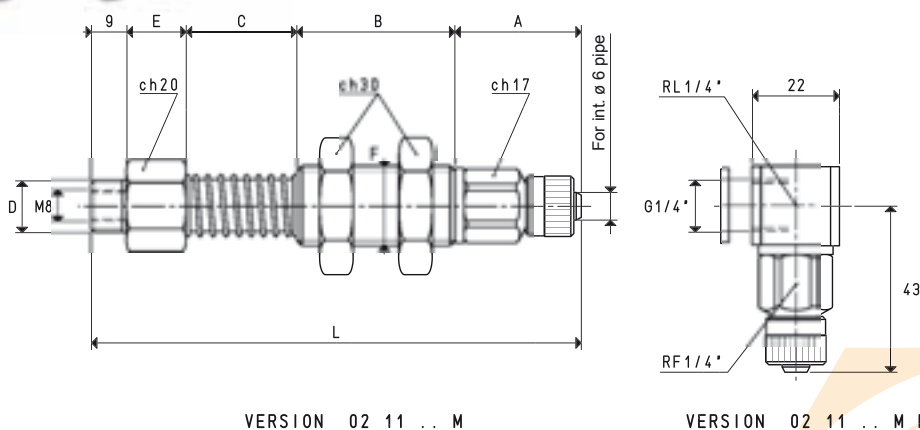
CUP HOLDERS WITH STRAIGHT QUICK COUPLER FOR PLASTIC HOSE Ø 6 X 8

Art.	A	B	C	D	E	F	L	Weight
				Ø		Ø		g
02 11 28	32	40	28	M12	20	M20	120	226
02 11 65	32	40	65	M12	20	M20	157	264
02 11 95	32	40	95	M12	20	M20	187	291

Note: Add the letter L to the code to order L-type fittings.



Basic cup holders with threaded male connectors



CUP HOLDERS WITH STRAIGHT QUICK COUPLER FOR PLASTIC HOSE Ø 6 X 8

Art.	A	B	C	D	E	F	L	Weight
				Ø		Ø		g
02 11 28 M	32	40	28	M12	15	M20	124	223
02 11 65 M	32	40	65	M12	15	M20	161	264
02 11 95 M	32	40	95	M12	15	M20	191	293

Note: Add the letter L to the code to order L-type fittings.

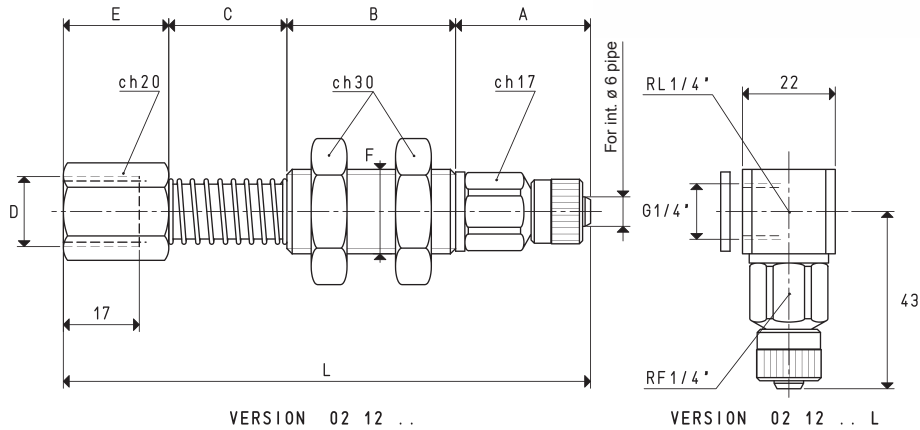
Conversion ratio: inch = $\frac{mm}{25.4}$; pounds = $\frac{g}{453.6}$ = $\frac{Kg}{0.4536}$

BASIC CUP HOLDERS WITH THREADED MALE AND FEMALE CONNECTORS

The actual springing stroke is:

- For height C= 28 mm 16 mm
- For height C= 65 mm 49 mm
- For height C= 95 mm 74 mm

Basic cup holders with threaded female connectors

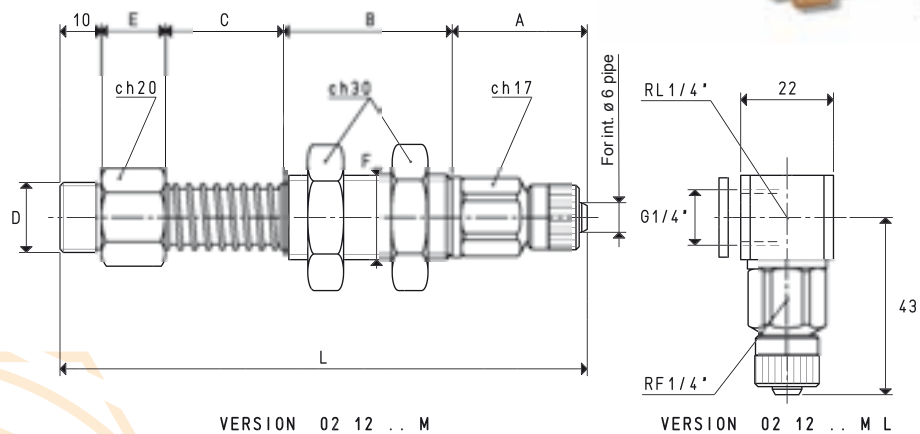


CUP HOLDERS WITH STRAIGHT QUICK COUPLER FOR PLASTIC HOSE Ø 6 X 8

Art.	A	B	C	D	E	F	L	Weight
				Ø		Ø		g
02 12 28	32	40	28	G3/8"	25	M20	125	220
02 12 65	32	40	65	G3/8"	25	M20	162	259
02 12 95	32	40	95	G3/8"	25	M20	192	285

Note: Add the letter L to the code to order L-type fittings.

Basic cup holders with threaded male connectors



CUP HOLDERS WITH STRAIGHT QUICK COUPLER FOR PLASTIC HOSE Ø 6 X 8

Art.	A	B	C	D	E	F	L	Weight
				Ø		Ø		g
02 12 28 M	32	40	28	G3/8"	15	M20	125	237
02 12 65 M	32	40	65	G3/8"	15	M20	162	274
02 12 95 M	32	40	95	G3/8"	15	M20	192	303

Note: Add the letter L to the code to order L-type fittings.

3D drawings available at www.vuototecnica.net