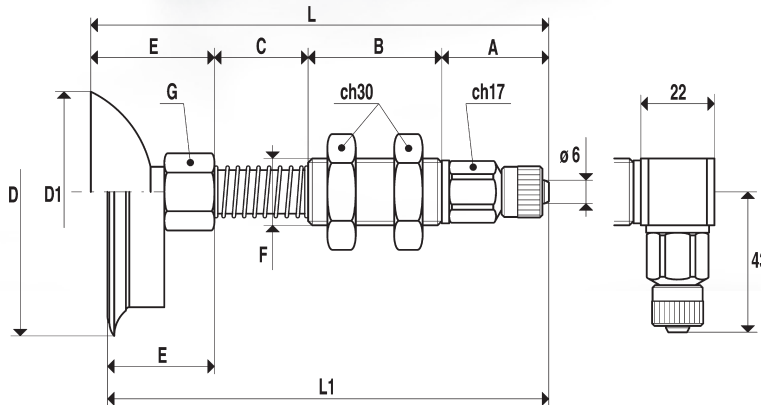


## [Basic cup holders]



Cup holder with rapid straight fitting for plastic hose  $\varnothing 6 \times 8$

Art.	Force Kg.	A	B	*C	D Ø	D1 Ø	E	F Ø	G	L	L1	Art. Cup
02 25 10	1.23	32	40	28	--	25	23	M20	ch17	123	--	01 25 10
02 25 15	1.23	32	40	28	--	25	31	M20	ch17	131	--	01 25 15
02 27 24	1.43	32	40	28	--	27	23	M20	ch17	123	--	01 27 24
02 30 10	1.76	32	40	28	--	30	23	M20	ch17	123	--	01 30 10
02 30 15	1.76	32	40	28	--	30	32	M20	ch17	132	--	01 30 15
02 30 24	1.76	32	40	28	--	30	39	M20	ch17	139	--	01 30 24
02 32 36	2.00	32	40	28	--	32	51	M20	ch17	151	--	01 32 36
02 35 10	2.40	32	40	28	--	35	23	M20	ch17	123	--	01 35 10
02 35 15	2.40	32	40	28	--	35	31	M20	ch17	131	--	01 35 15
02 40 15	3.14	32	40	28	--	40	33	M20	ch17	133	--	01 40 15
02 45 10	3.98	32	40	28	--	45	33	M20	ch20	133	--	01 45 10
02 45 15	3.98	32	40	28	--	45	38	M20	ch20	138	--	01 45 15
02 50 20	4.90	32	40	28	--	50	35	M20	ch20	135	--	01 50 20
02 50 40	4.90	32	40	28	--	50	41	M20	ch20	141	--	08 50 40
02 54 18	5.70	32	40	28	--	54	33	M20	ch20	133	--	01 54 18
02 56 15	6.15	32	40	28	56	--	34	M20	ch20	--	134	01 56 15
02 60 10	7.06	32	40	28	--	60	37	M20	ch20	137	--	01 60 10
02 65 15	8.29	32	40	28	65	--	32	M20	ch20	--	132	01 65 15
02 65 28	8.29	32	40	28	--	65	43	M20	ch20	143	--	01 65 28
02 75 40	11.04	32	40	28	--	75	50	M20	ch20	150	--	08 75 40
02 76 24	11.33	32	40	28	--	76	49	M20	ch20	149	--	08 76 24
02 80 20	12.56	32	40	28	80	--	35	M20	ch20	--	135	01 80 20
02 85 10	14.18	32	40	28	--	85	56	M20	ch20	156	--	01 85 10
02 85 15	14.18	32	40	28	85	--	32	M20	ch20	--	132	01 85 15
02 90 24	15.89	32	40	28	--	90	49	M20	ch20	149	--	08 90 24
02 100 40	19.62	32	40	28	--	100	51	M20	ch20	151	--	08 100 40
02 100 50	19.62	32	40	28	--	100	55.5	M20	ch20	155.5	--	08 100 50
02 110 10	23.74	32	40	28	114	--	32	M20	ch20	--	132	01 110 10
02 110 15	23.74	32	40	28	110	--	41	M20	ch20	--	141	08 110 15
02 110 24	23.74	32	40	28	--	110	49	M20	ch20	149	--	08 110 24

N.B. - L-type fitting is supplied only upon request. \* Available also with size "C" mm. 65 and mm. 95.

Although the basic cup holders are manufactured in a simple and rational way, they guarantee maximum sturdiness and lasting and consist of:

- A brass stem for fastening the cup.
- A threaded sleeve equipped with two nuts, for quick assembly of the cup holder to the machine.
- A spring to cushion the impact of the cup and to keep at the same time a constant pressure with the load to be lifted.
- A rapid fitting for the connection to the suction hose.

N.B.

Cups are not included in the following part numbers of the cup holder and therefore, they must be ordered separately.

The real strokes are:

C = 28	mm 16
C = 65	mm 49
C = 95	mm 74