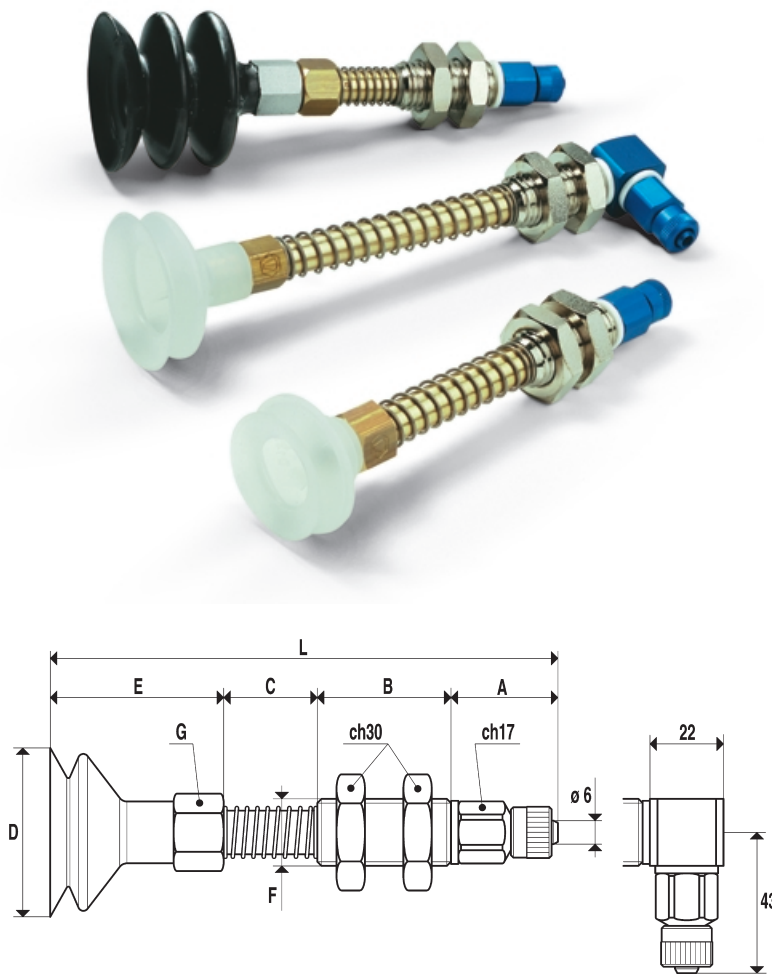


[Basic cup holders for bellows cups]



These are the same basic cup holders described on the previous page, with the same specifications, suitable for bellows cups.

N.B.

Cups are not included in the following part numbers of the cup holder and therefore, they must be ordered separately.

The real strokes are:

C = 28	mm 16
C = 65	mm 49
C = 95	mm 74

Cup holder with rapid straight fitting for plastic hose $\varnothing 6 \times 8$

Art.	Force Kg.	A	B	*C	D Ø	E	F Ø	G	L	Art. Cup
02 25 35	1.23	32	40	28	25	50	M20	ch17	150	01 25 35
02 30 32	1.76	32	40	28	30	47	M20	ch20	147	01 30 32
02 30 50	1.76	32	40	28	30	53	M20	ch17	153	01 30 50
02 34 26	2.26	32	40	28	34	41	M20	ch17	141	01 34 26
02 40 30	3.14	32	40	28	40	67	M20	ch20	167	08 40 30
02 40 42	3.14	32	40	28	40	57	M20	ch20	157	01 40 42
02 40 50	3.14	32	40	28	40	38	M20	ch17	138	01 40 50
02 40 60	3.14	32	40	28	40	84	M20	ch20	184	08 40 60
02 43 28	3.62	32	40	28	43	43	M20	ch20	143	01 43 28
02 50 30	4.90	32	40	28	50	69	M20	ch20	169	08 50 30
02 50 50	4.90	32	40	28	50	87	M20	ch20	187	08 50 50
02 50 53	4.90	32	40	28	50	68	M20	ch20	168	01 50 53
02 52 50	5.30	32	40	28	52	57	M20	ch20	157	01 52 50
02 53 35	5.51	32	40	28	53	41	M20	ch20	141	01 53 35
02 56 30	6.15	32	40	28	56	33	M20	ch20	133	01 56 30
02 60 30	7.06	32	40	28	60	71	M20	ch20	171	08 60 30
02 60 50	7.06	32	40	28	60	91	M20	ch20	191	08 60 50
02 75 30	11.04	32	40	28	75	69	M20	ch20	169	01 75 30
02 75 42	11.04	32	40	28	75	57	M20	ch20	157	01 75 42
02 85 30	14.18	32	40	28	85	82	M20	ch20	182	08 85 30
02 85 50	14.18	32	40	28	85	110	M20	ch20	210	08 85 50

N.B. - L-type fitting is supplied only upon request. * Available also with size "C" mm. 65 and mm. 95.