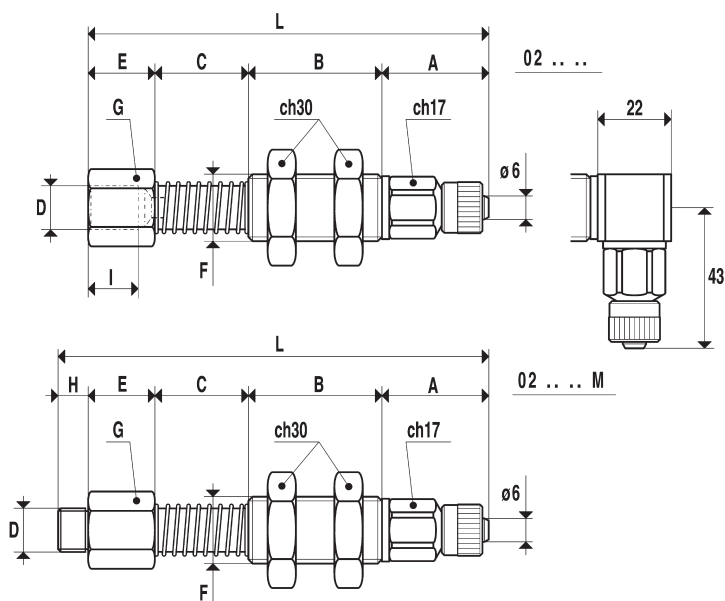




[Basic cup holders with threaded male or female connections]



These cup holders have the same features and give the same performance of those previously described; they distinguish themselves for the brass stem, whose end for the cup fixing has a male or female thread.

The cups, which can be assembled to these cup holders, need a suitable threaded support.

N.B.

The real strokes are:

C = 28	mm 16
C = 65	mm 49
C = 95	mm 74

Cup holder with rapid straight fitting for plastic hose $\varnothing 6 \times 8$

Art.	A	B	C	D Ø	E	F Ø	G	H	I	L
02 08 28	32	40	28	1/8"	15	M20	ch17	-	8	115
02 08 65	32	40	65	1/8"	15	M20	ch17	-	8	152
02 08 95	32	40	95	1/8"	15	M20	ch17	-	8	182
02 08 28 M	32	40	28	1/8"	15	M20	ch17	8	-	123
02 08 65 M	32	40	65	1/8"	15	M20	ch17	8	-	160
02 08 95 M	32	40	95	1/8"	15	M20	ch17	8	-	190
02 10 28	32	40	28	1/4"	20	M20	ch20	-	15	120
02 10 65	32	40	65	1/4"	20	M20	ch20	-	15	157
02 10 95	32	40	95	1/4"	20	M20	ch20	-	15	187
02 10 28 M	32	40	28	1/4"	15	M20	ch20	9	-	124
02 10 65 M	32	40	65	1/4"	15	M20	ch20	9	-	161
02 10 95 M	32	40	95	1/4"	15	M20	ch20	9	-	191
02 12 28	32	40	28	3/8"	25	M20	ch20	-	17	125
02 12 65	32	40	65	3/8"	25	M20	ch20	-	17	162
02 12 95	32	40	95	3/8"	25	M20	ch20	-	17	192
02 12 28 M	32	40	28	3/8"	15	M20	ch20	10	-	125
02 12 65 M	32	40	65	3/8"	15	M20	ch20	10	-	162
02 12 95 M	32	40	95	3/8"	15	M20	ch20	10	-	192

N.B. - L-type fitting is supplied only upon request.