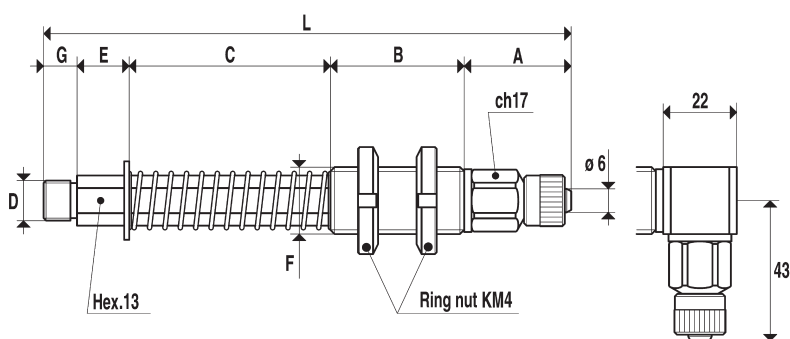




[Non-rotating basic cup holders]



Similar in design and specifications to the previously described basic cup holders, apart from the brass stem which has a hexagonal section and not a circular one and the respective steel bush that also has a hexagonal hole.

This shape does not allow the stem to turn on its axis and consequently also the cup, integral with the stem, cannot turn.

The bush is provided with two ring nuts with fine thread for a good accuracy of fastening of the cup holder to the automatism.

They are suitable for cups having a minimum diameter of 45 mm and a maximum diameter of 110 mm, but they have been particularly designed to fasten rectangular, concave or elliptic cups.

Cup holder with rapid straight fitting for plastic hose $\varnothing 6 \times 8$

Art.	A	B	C	D Ø	E	F Ø	G	L
02 95 28	32	40	28	M12	15	20x1	10	125
02 95 65	32	40	65	M12	15	20x1	10	162
02 95 95	32	40	95	M12	15	20x1	10	192

N.B.

The real strokes are:

C = 28	mm 16
C = 65	mm 49
C = 95	mm 74

N.B. - L-type fitting is supplied only upon request.