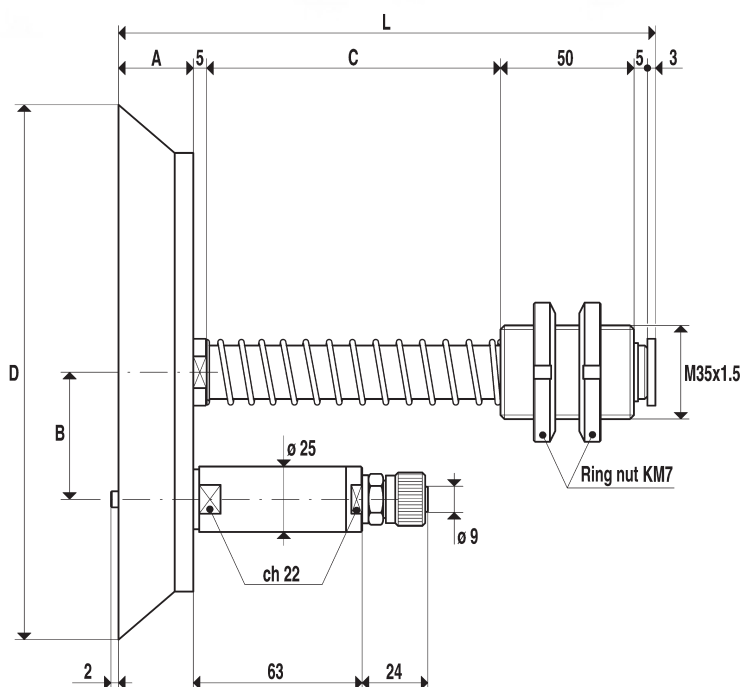


[Special cup holders with plunger valve]



Cup holder with rapid straight fitting for plastic hose $\varnothing 9 \times 12$

Art.	Force Kg.	A	B	*C	D Ø	L	Art. Cup
06 150 22	45.0	26	40.0	55	150	144	08 150 15
06 200 20	78.5	28	47.5	55	200	146	08 200 10
06 250 20	122.6	28	72.5	55	250	146	08 250 10
06 300 20	176.6	31	89.0	55	300	149	08 300 10
06 350 20	240.0	31	89.0	55	350	149	08 350 10

* Available also with size "C" mm. 110.

They have the same mechanical features as the special cup holders but are inclusive of a plunger valve, fitted on the cup support, which has the function to open the suction (and therefore to produce vacuum) only when the cup is in contact with the load to be lifted.

Using this type of cup holders avoids the need for cocks on the vacuum connection hose and is recommended in all those cases where there is the possibility that not all cups will stick to the load to be lifted (because of uneven or incomplete load).

This plunger valve can be fitted, without any modification, also on the special articulated cup holders.

N.B.

Cups are not included in the following part numbers of the cup holder and therefore, they must be ordered separately.

The real strokes are:

C = 55	mm 37
C = 110	mm 84