

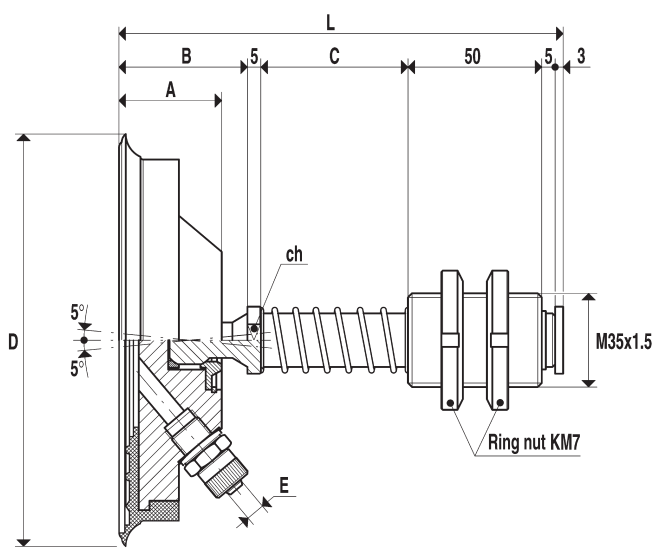


[Special articulated cup holders]

The special articulated cup holders shown on this page are different from those previously described, having the seat of the articulated joint bored in the cup support. Using this method, it has been possible to reduce the sizes without changing its technical features.

N.B.
Cups are not included in the following part numbers of the cup holder and therefore, they must be ordered separately.

The real strokes are:
 C = 55 mm 37
 C = 110 mm 84



Cup holder with rapid straight fitting for plastic hose

Art.	Force Kg.	A	B	*C	D Ø	E Ø	ch	L	Art. Cup
06 110 32	23.74	33	42.5	55	114	6	22	160.5	01 110 10
06 150 32	45.00	39	48.5	55	154	6	22	166.5	01 150 10

* Available also with size "C" mm. 110.