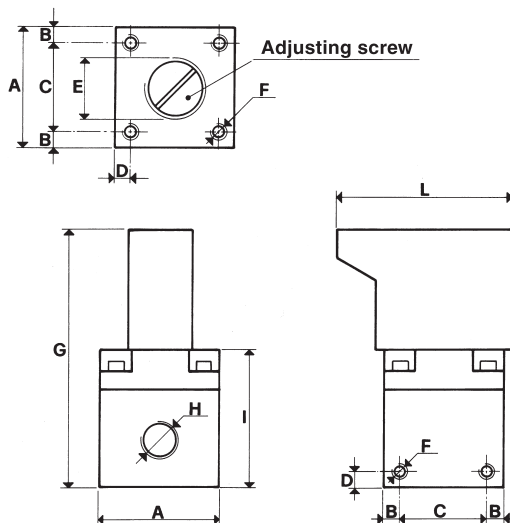
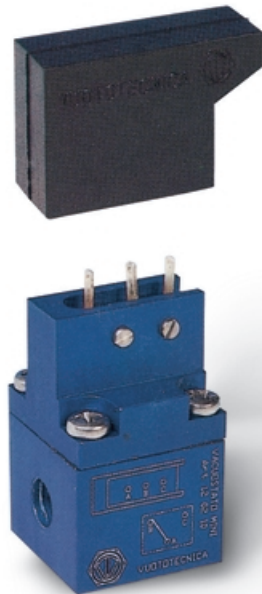


[Small vacuum switch]



This vacuum switch having very small dimensions, provides an electric signal when a given adjustable vacuum degree is reached.

The pressure differential existing between the set maximum value and the value of reset of the rest signal is $50 \div 60$ mbar and it is not adjustable.

It is particularly suitable where an electrical signal is needed when a certain vacuum degree is reached, for safety, for starting a cycle, for checking the grip of the cups etc.

Technical features :

Art. 12 02 10

- Adjustment range:
from 930 to 10 mbar abs.
- Repeatability: $\pm 1,5$ mbar.
- Contacts: one in commutation
- Contacts capacity: 3A at 250V A. C.
- Electrical connections:
fast-on terminals mod. 110.
- Room temperature:
from -25°C to $+85^{\circ}\text{C}$.
- Protection: IP 55.

Art.	A	B	C	D	E	F	G	H	I	L
12 02 10	30	4	22	4	14	M4	64.5	1/8"	35	44