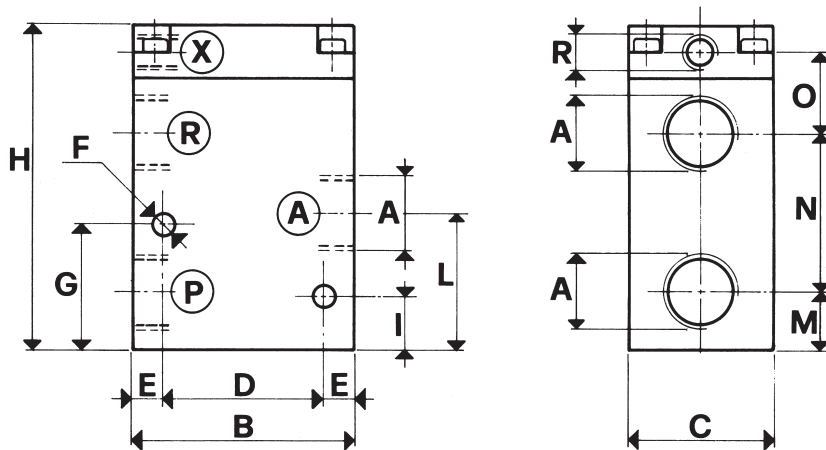




[Pilot operated 3-way vacuum valves]



These vacuum valves are of the three-way type, with two positions and with pneumatically controlled conical valves.

They can be used either normally closed or normally open.

Their application is recommended in all those cases where a quick exchange between suction of the vacuum pump and the incoming of air into the circuit, for a quick recovery of the atmospheric pressure is required.

They are made up of a body in anodized aluminium, two vulkollan valves put on a stainless steel stem, a membrane in a special rubber for the servo control and a spring for the valves return.

The particular execution of these valves allows to reduce frictions and internal dynamic stresses as much as possible, the result being a high response speed and a guarantee of long lasting operation.

Working pressure: from 0 to 3 bar abs.

Pressure required at the servo control: from 4 to 8 bar (g).

Art.	A Ø orifice	Ø	B	C	D	E	F Ø	G	H	I	L	M	N	O	R Ø
07 01 30	1/4"	8.5	50	35	40	5.0	5.5	30	75	10	33.0	13.0	35.0	19.5	1/8"
07 02 30	3/8"	11.5	50	35	40	5.0	5.5	30	75	10	33.0	13.0	35.0	19.5	1/8"
07 03 30	1/2"	15.0	62	40	45	8.5	6.5	35	91	15	38.5	16.5	44.0	23.0	1/8"
07 04 30	3/4"	19.0	80	50	60	10.0	6.5	51	115	21	51.5	21.0	59.5	27.0	1/8"
07 05 30	1"	25.0	80	50	60	10.0	6.5	51	115	21	51.5	21.0	59.5	27.0	1/8"
07 06 30	1 1/2"	40.0	130	90	100	15.0	8.5	85	175	34	85.0	38.0	90.0	40.0	1/8"