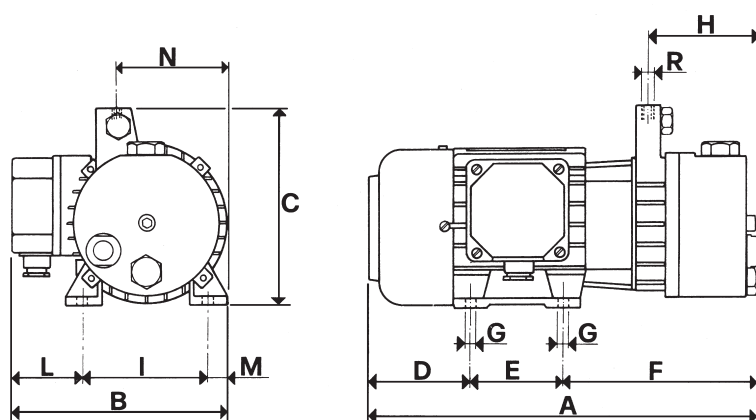


[Vacuum pumps VTL 2 and 4]



These small vacuum pumps have a suction capacity of 2 and 4 cum/h.

They are wick oiled with loop lubrication system and because the rotor is overhanging splined to the motor shaft, they are of small dimensions.

Motor and pump are cooled by the motor fan (surface cooling).

These pumps are provided with a small tank placed on the same axis of the pump, containing the lubricating oil as well as a separation filter that prevents oil mists and reduces noise as well. It is recommended to install a check valve and a suitable filter on the pump suction inlet.

Pumps VTL 2 and 4 can also be supplied with single-phase electric motor.

The table shows all data and technical features of this series of pumps.

VTL		2	4
Capacity	cum/h	2	4
Final pressure	mbar abs.	150	150
Motor execution	3 ~	230/400 ± 10%, 50 Hz	
Volt	1 ~	230 ± 10%, 50 Hz	
Motor power	3 ~	0.13	0.18
Kw	1 ~	0.13	0.15
Motor power	3 ~	0.18	0.25
Hp	1 ~	0.18	0.20
Rpm		2900	2900
Max weight	3 ~	5.7	7.3
Kg	1 ~	6.0	7.5
A		260	285
B		145	160
C		126	132
D		62	66
E		71	80
F		127	139
G	Ø	6.5	7.5
H		72	80
I		90	100
L		43	48
M		12	12
N		76	86
R	Ø gas	1/4"	3/8"