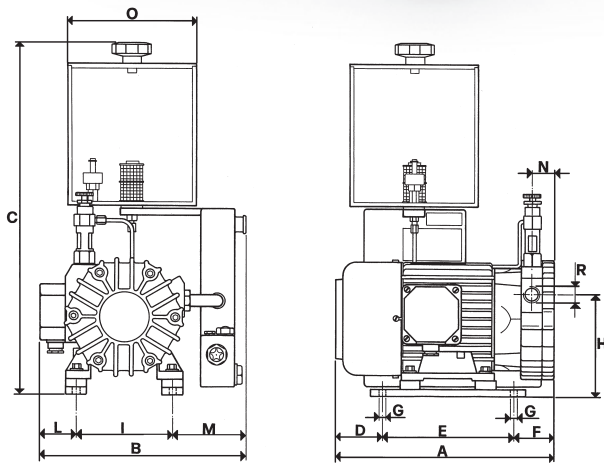




[Vacuum pumps VTLP 5 and 10 with oil loss lubrication]



These vacuum pumps have a suction capacity of 5 and 10 cum/h.

They are lubricated by depression with oil loss and lubrication is adjustable by means of an oiler placed in correspondence of the suction inlet. The rotor is overhanging splined to the motor shaft, therefore the overall dimensions are very small.

Motor and pump are cooled by the motor fan (surface cooling).

A tank for the oil recovery is installed on the pump outlet, this tank contains a separation filter that avoids forming of oil mists and reduces noise as well.

A safety valve is incorporated on this tank for the automatic drainage of the used oil between periodical changing. The lubricating oil is contained in a suitable transparent container fixed to the pump by means of its support and is controlled by a magnetic level switch.

In pumps with oil loss lubrication, lubricating oil, sucked into the pump by means of the drop oiler, is drained into the recovery tank together with the air without being put into circulation again. These pumps are recommended when in the sucked air there are water condensates, solvent vapours or any other thing that may contaminate the lubricating oil.

It is recommended to install a check valve and a suitable filter on the pump suction inlet.

Pumps VTLP 5 and 10 can also be supplied with single-phase electric motor.

| VTLP | | 5 | 10 |
|-----------------|-----------|----------------------|------|
| Capacity | cum/h | 5 | 10 |
| Final pressure | mbar abs. | 80 | 80 |
| Motor execution | 3 ~ | 230/400 ± 10%, 50 Hz | |
| Volt | 1 ~ | 230 ± 10%, 50 Hz | |
| Motor power | 3 ~ | 0.25 | 0.35 |
| Kw | 1 ~ | 0.25 | 0.25 |
| Motor power | 3 ~ | 0.35 | 0.50 |
| Hp | 1 ~ | 0.35 | 0.35 |
| Rpm | | 1450 | 1450 |
| Max weight | 3 ~ | 15.6 | 21.6 |
| Kg | 1 ~ | 16.1 | 22.1 |
| A | | 260 | 310 |
| B | | 245 | 262 |
| C | | 410 | 410 |
| D | | 52 | 70 |
| E | | 155 | 155 |
| F | | 53 | 85 |
| G | Ø | 8.5 | 8.5 |
| H | | 122 | 122 |
| I | | 115 | 115 |
| L | | 45 | 45 |
| M | | 85 | 102 |
| N | | 27 | 52 |
| R | Ø gas | 3/8" | 1/2" |
| O | Ø | 150 | 150 |