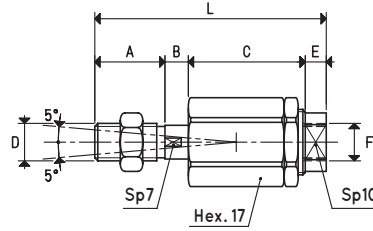
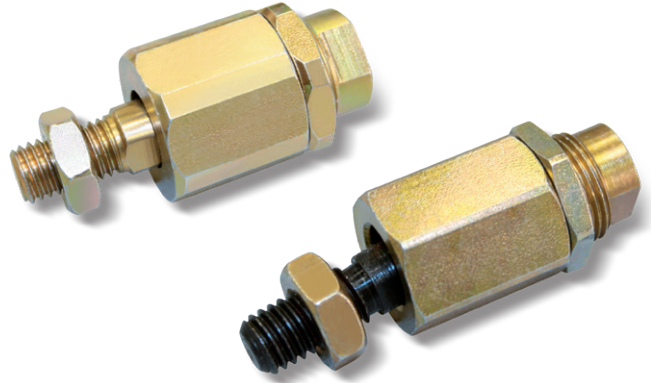


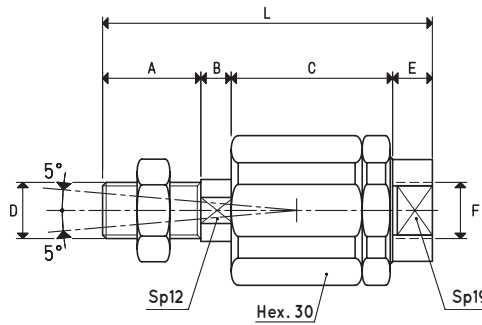


SPHERICAL ARTICULATED JOINTS

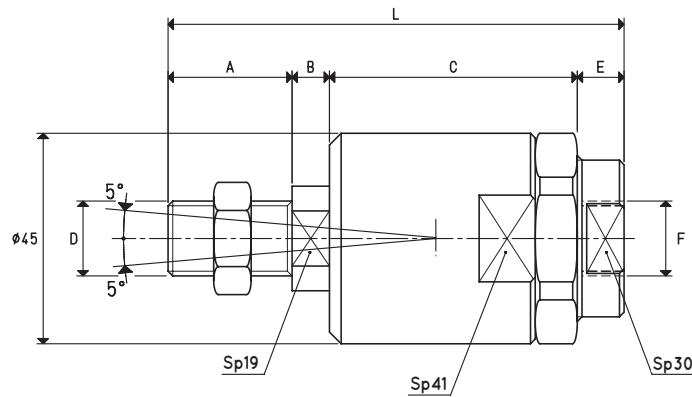
Our spherical articulated joints are made with hardened steel. Assembled to the cup holders, they compensate offsets, orthogonality and flatness errors that often arise between the cups and the surface of the load to be lifted.



Item	A	B	C	D Ø	E	F Ø	L	Weight g
GSM8	15	5	25	M8	4.5	M8	49.5	55



Item	A	B	C	D Ø	E	F Ø	L	Weight g
GSM12	21	6.5	34.5	M12	8.5	M12	70.5	220



Item	A	B	C	D Ø	E	F Ø	L	Weight g
GSM16	26.5	8	53	M16	10	M16	97.5	670

Transformation ratio: N (newton) = Kg x 9.81 (force of gravity)

$$\text{inch} = \frac{\text{mm}}{25.4}; \text{pounds} = \frac{\text{g}}{453.6} = \frac{\text{Kg}}{0.4536}$$