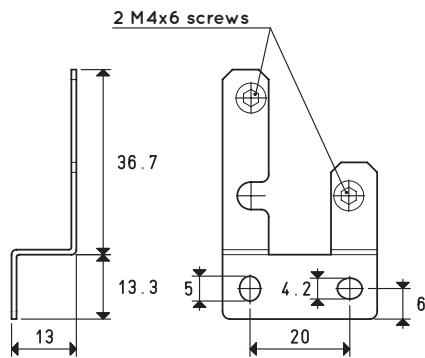




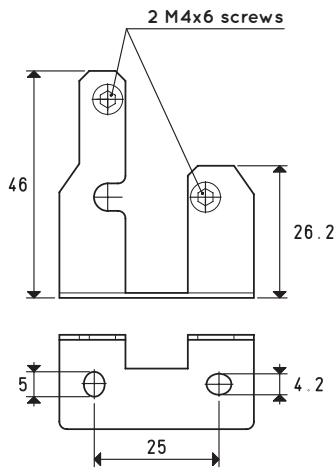
# ACCESSORIES FOR ANALOGUE AND DIGITAL VACUUM AND PRESSURE SWITCHES ITEM 12 20 10P and 12 35 10P

## FIXING KIT

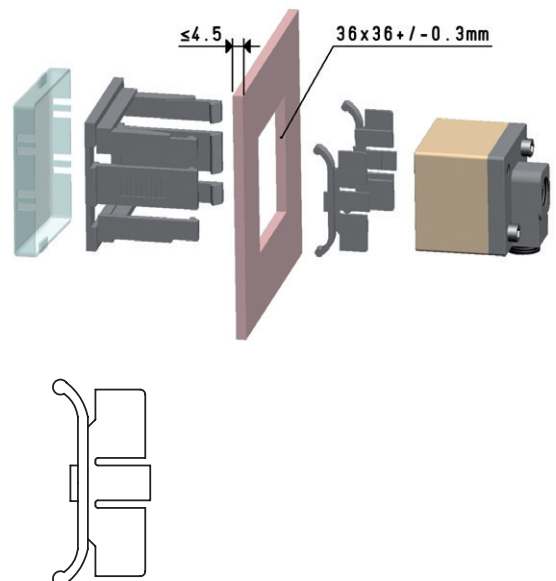
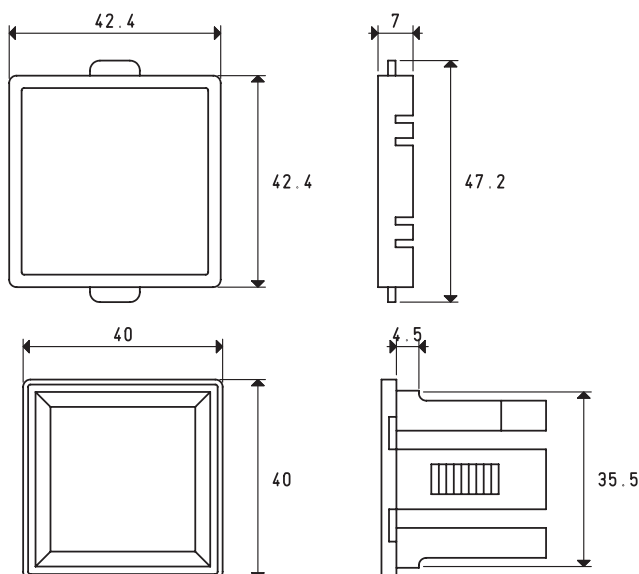
### Wall Item 00 12 30



### Table Item 00 12 31



### Panel Item 00 12 32

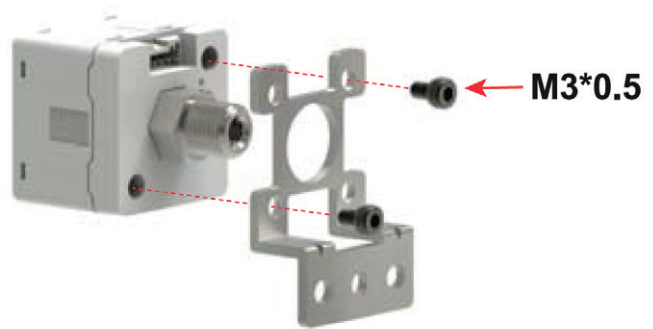
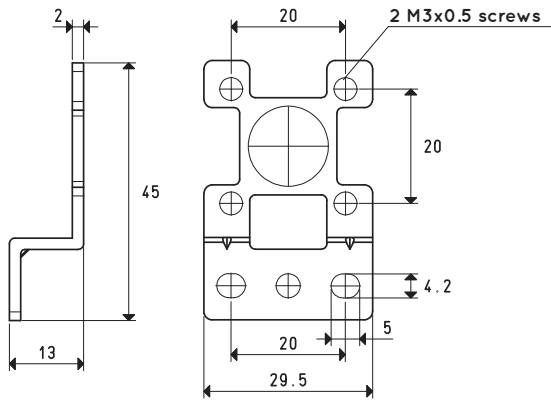


# ACCESSORIES FOR ANALOGUE AND DIGITAL VACUUM AND PRESSURE SWITCHES ITEM 12 40 10, 12 40 12 and 12 40 20

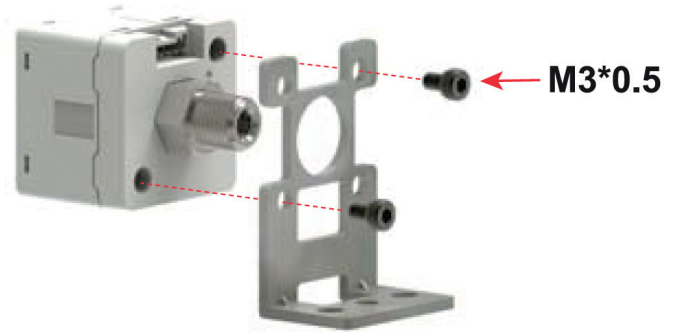
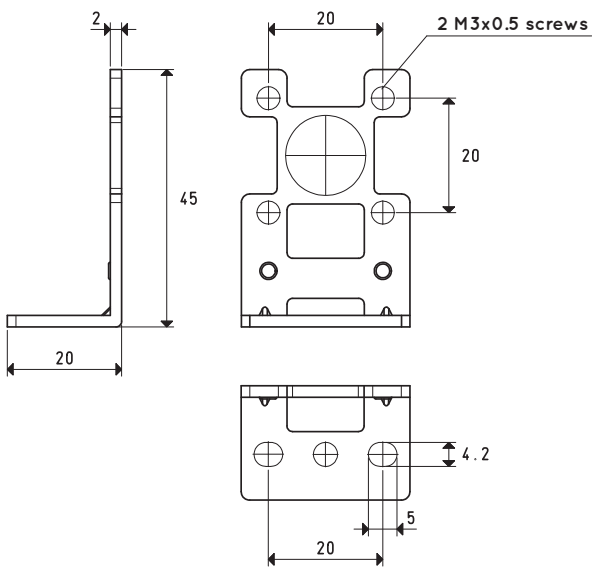


## FIXING KIT

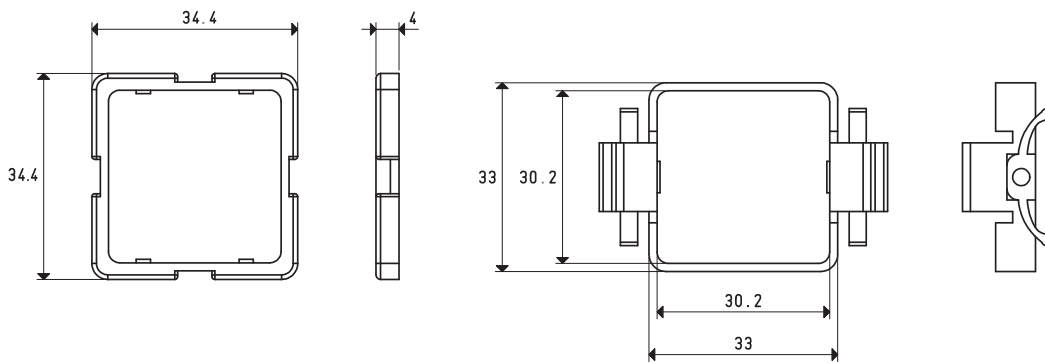
### Wall Item 00 12 40



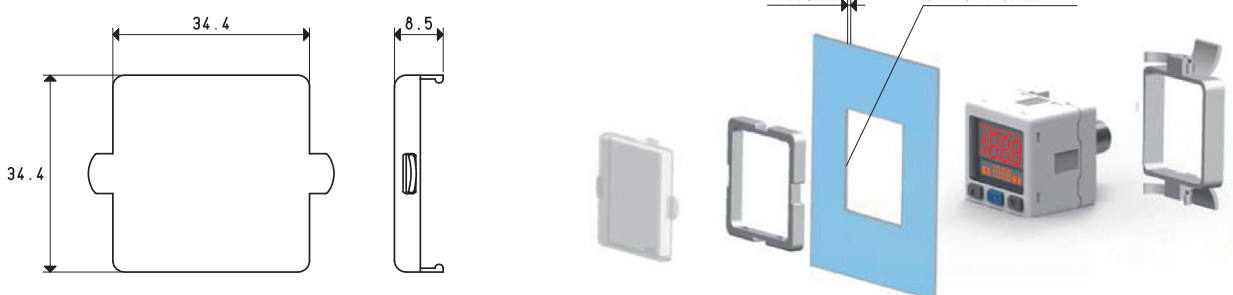
### Table Item 00 12 41



### Panel Item 00 12 42



### Panel plus protection Item 00 12 43

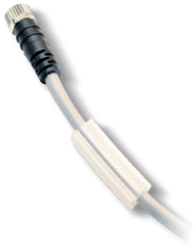


Transformation ratio: N (newton) = Kg x 9.81 (force of gravity)

inch =  $\frac{\text{mm}}{25.4}$  ; pounds =  $\frac{\text{g}}{453.6} = \frac{\text{Kg}}{0.4536}$



### Cable with axial connector



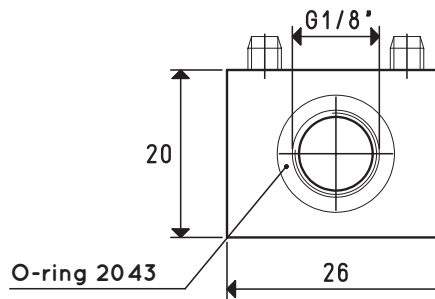
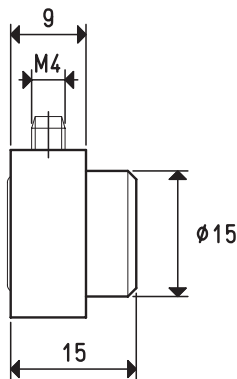
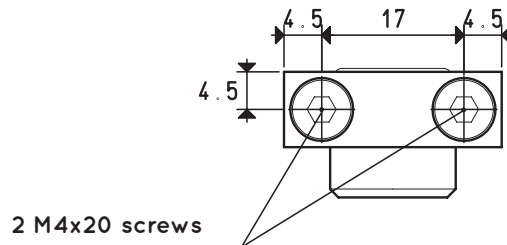
Item	Description
00 12 20	Electrical connection cable with axial connector for digital vacuum and pressure switches Cable length 5 m

### Cable with radial connector



Item	Description
00 12 21	Electrical connection cable with radial connector for digital vacuum and pressure switches Cable length 5 m

### Wall fixing kit



Item	Description
00 12 22	Wall-fixing kit for digital vacuum and pressure switches