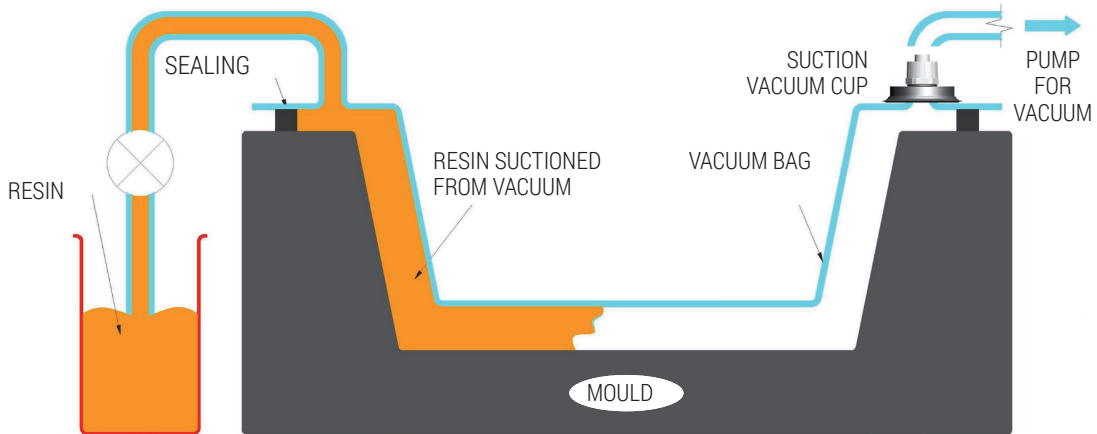




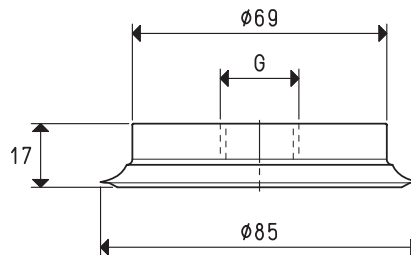
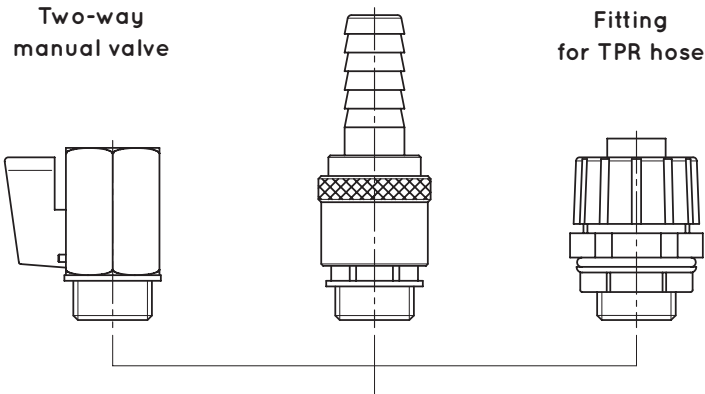
SUCTION VALVES FOR RESIN INFUSION MOULDS

Once laid on the resin infusion mould connections, these suction valves allow a quick vacuum connection and guarantee a perfect seal. They are made with silicone rubber, while their support is made with anodised aluminium. Manual two-way valves, quick couplers or simply flexible pipe fittings can be assembled onto these valves. They are available in the two versions shown below, but can be supplied in different sizes and shapes upon request.

3D drawings are available on vuototecnica.net



Quick coupling fitting



Item	Maximum flow rate recommended m ³ /h	Two-way manual valve item	Quick coupler fitting item	Fitting for TPR hose item	Weight	G
					g	∅
08 85 15 1/2" S	20	13 03 11	RR1/2"	RTPR1/2"	108	G1/2"
08 85 15 3/4" S	40	13 03 11	RR3/4"	RTPR3/4"	103	G3/4"

Note: The two-way valves and fittings are not integral parts of the suction valves and, therefore, must be ordered separately.

Transformation ratio: N (newton) = Kg x 9.81 (force of gravity)

inch = $\frac{\text{mm}}{25.4}$; pounds = $\frac{\text{g}}{453.6} = \frac{\text{Kg}}{0.4536}$

Adapters for GAS - NPT threading available on page 1.130