



FC SUCTION FILTERS WITH PAPER CARTRIDGE

These filters have been designed to allow vacuum pumps to operate even in very dusty environments. Installed onto the pump suction inlet, they are able to retain fine and impalpable dust interfering with the flow rate in a negligible manner. The filtering cartridge is made with a special treated paper with a filtering degree equal to 5 - 7 μ , which is pleated to increase its surface and is contained in a double perforated sheet steel enclosure. The filtering cartridge container as well as the lid are made with sheet steel and varnished with a special anti-oxidation paint. A seal located between the lid and the container guarantees a perfect vacuum seal between the two elements. The release clamps applied onto the container allow a quick opening of the lid for the filtering cartridge inspection or replacement.

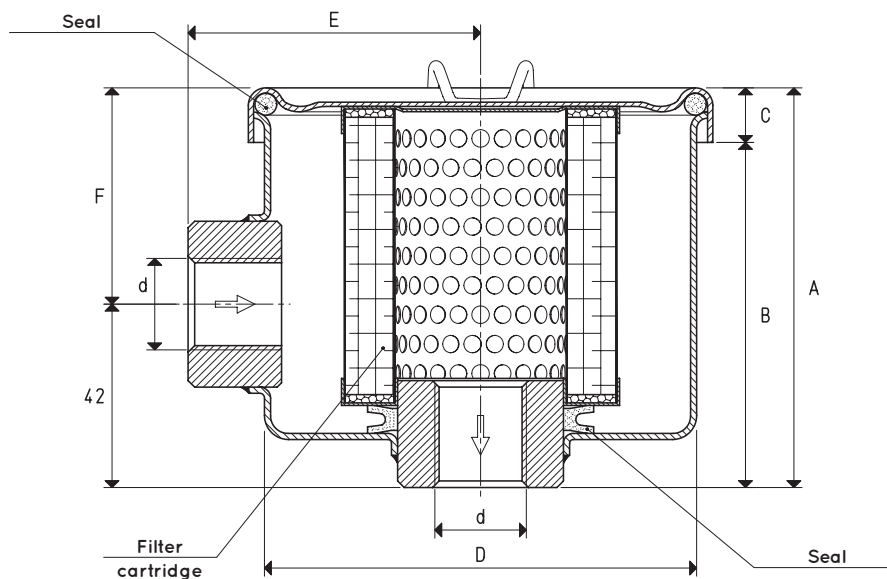
Due to the paper filtering element, these filters are not recommended in presence of water or oil vapours or condensations.

Technical features

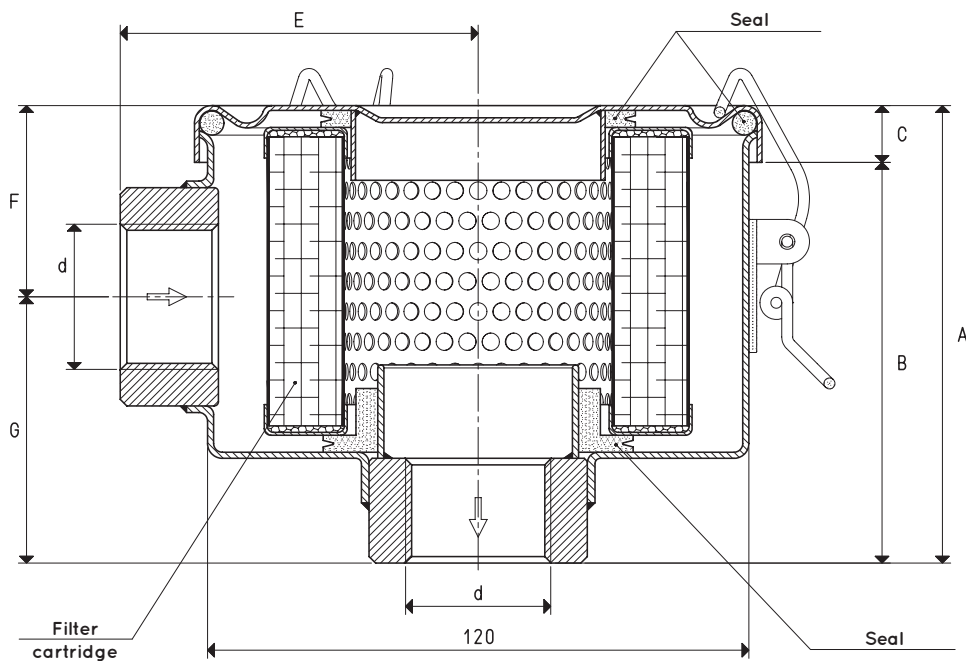
Operating pressure: from 0.5 to 2000 absolute mbar

Fluid temperature: from -20 to +60 °C

Level of filtration: 5 - 7 μ



Item	d Ø	A	B	C	D Ø	E	F	Flow rate max m ³ /h	Cartridge spare part item	Sealing kit spare part item	Weight g
FC 10	G3/8"	79	70	9	72	49	37	15	00 FC 04	00 KIT FC 10	352
FC 20	G1/2"	93	80	13	96	67	51	30	00 FC 08	00 KIT FC 20	774
FC 25	G3/4"	93	80	13	96	67	51	50	00 FC 08	00 KIT FC 25	734

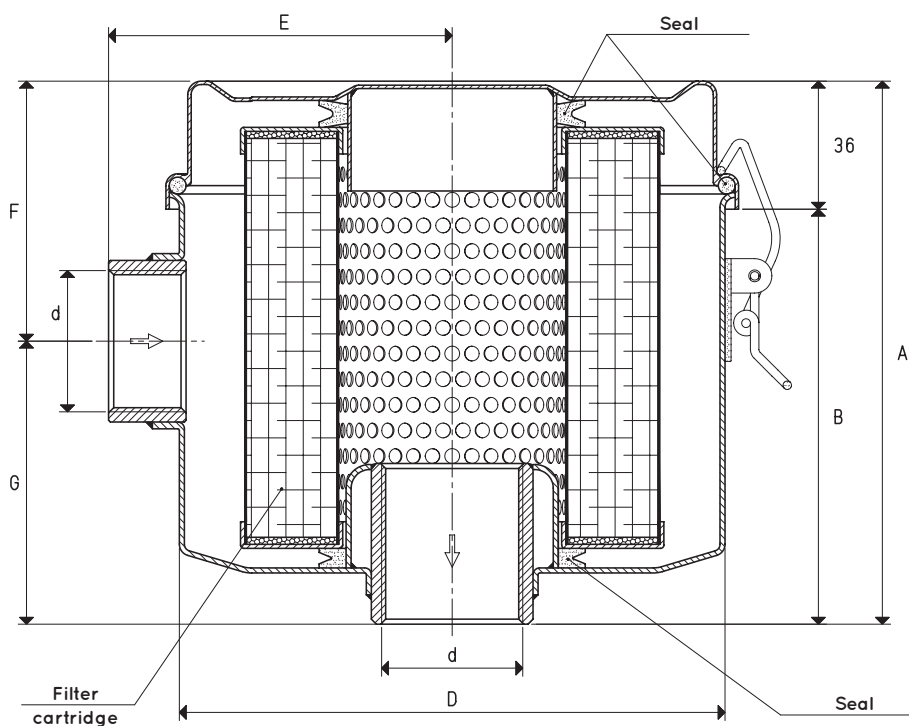


Item	d ∅	A	B	C	E	F	G	Flow rate max m ³ /h	Cartridge spare part item	Sealing kit spare part item	Weight Kg
FC 30	G1"	105	92	13	84	41	64	90	00 FC 15	00 KIT FC 30	1.17
FC 35	G1" 1/4	97	84	13	78	46	51	100	00 FC 15	00 KIT FC 35	1.02
FC 38	G1" 1/2	101	88	13	80	45	56	200	00 FC 15	00 KIT FC 38	0.95
FC 55	G2"	170	157	13	81	79	91	300	00 FC 33	00 KIT FC 55	1.29



FC SUCTION FILTERS WITH PAPER CARTRIDGE

3D drawings are available on vuototecnica.net



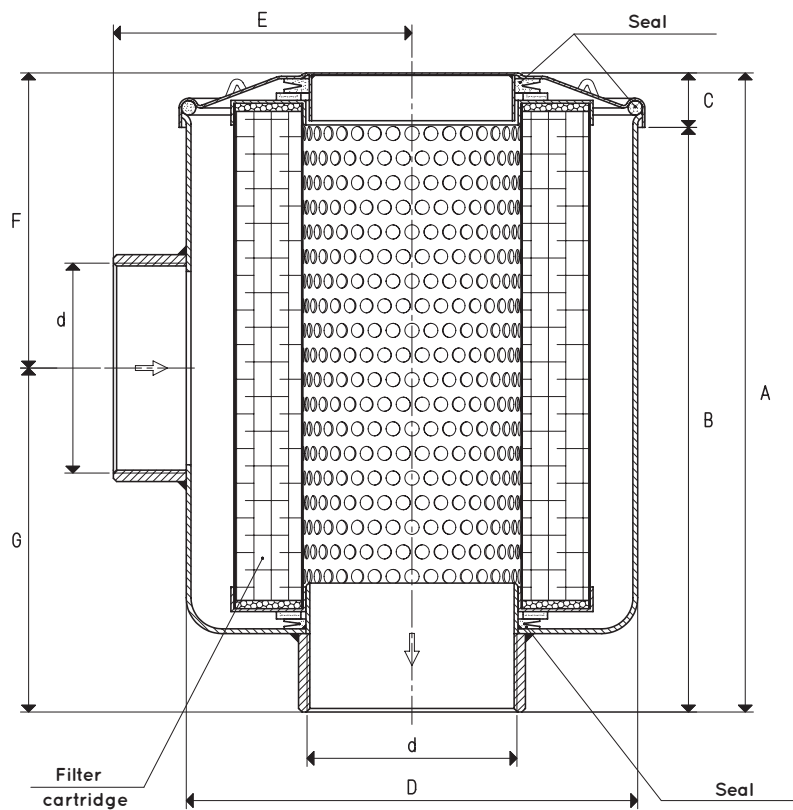
5

Item	d Ø	A	B	D Ø	E	F	G	Flow rate max m ³ /h	Cartridge spare part item	Sealing kit spare part item	Weight Kg
FC 40	G1" 1/4	161	125	162	102	77	84	150	00 FC 22	00 KIT FC 40	1.83
FC 50	G1" 1/2	197	161	160	100	85	112	200	00 FC 24	00 KIT FC 50	2.11

Transformation ratio: N (newton) = Kg x 9.81 (force of gravity)

inch = $\frac{\text{mm}}{25.4}$; pounds = $\frac{\text{g}}{453.6} = \frac{\text{Kg}}{0.4536}$

Adapters for GAS - NPT threading available on page 1.130



Item	d	A	B	C	D	E	F	G	Flow rate max m ³ /h	Cartridge spare part item	Sealing kit spare part item	Weight Kg
FC 60	G2"	258	235	23	185	115	126	132	300	00 FC 29	00 KIT FC 60	4.62
FC 80	G3"	270	246	24	185	125	126	144	360	00 FC 29	00 KIT FC 80	3.45
FC 100	G4"	336	311	25	295	166	134	202	540	00 FC 34	00 KIT FC 100	5.56