



FS SYPHON SUCTION FILTERS

These filters retain impurities and liquids extracted through vacuum cups or vacuum clamping systems, preventing them from entering into the vacuum pumps.

They are composed of:

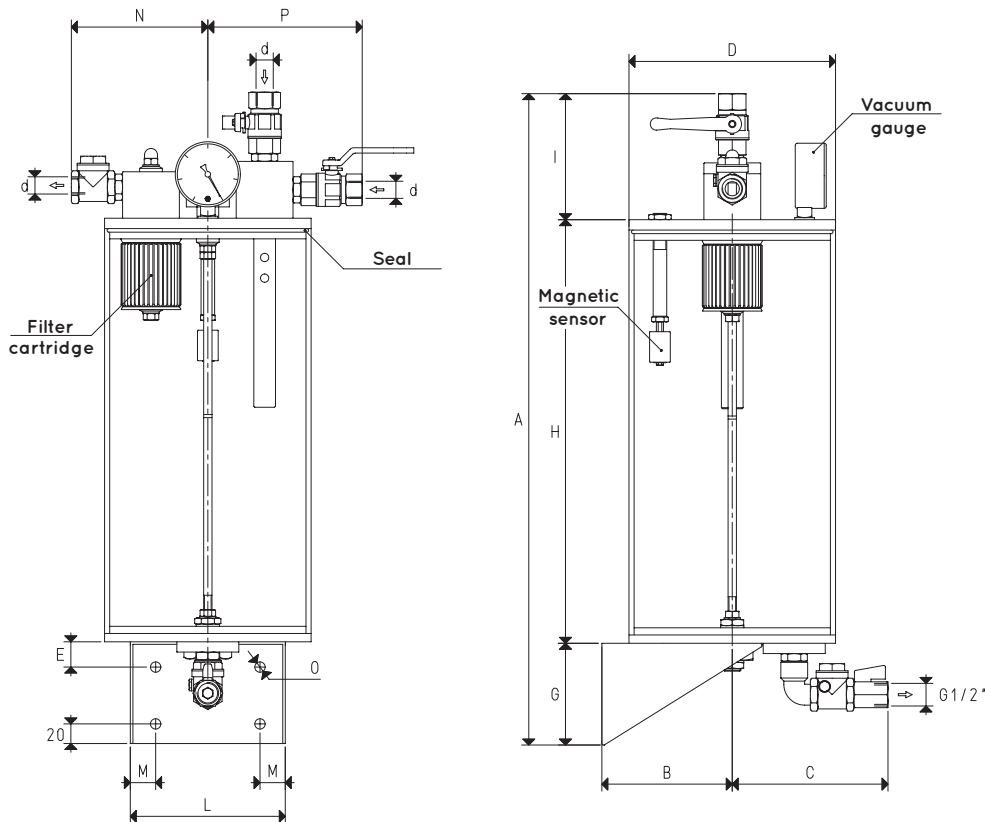
- A transparent Plexiglas cylindrical container with an extractable lid to allow inspection and cleaning
- A check valve located on the suction inlet for preventing the air from returning in the filter when the pump is idle
- A stainless steel mesh filtering cartridge with a filtering degree equal to 60 μ, also located on the suction inlet to retain dust and solid impurities
- A two-way manual valve for service vacuum interception.
- A two-way manual valve for restoring the atmospheric pressure inside the filter
- A radial vacuum gauge the direct reading of the level of vacuum
- A magnetic level switch that stops the pump when the suctioned liquid exceeds the safety level
- A rigid pipe connected to the service to convey the air flow and the sucked liquid to the bottom of the container
- A check valve at the bottom of the filter to automatically drain the sucked liquid and impurities every time the atmospheric pressure is restored inside the filter
- A cock applied on the aforementioned check valve for manual liquid drainage
- A sturdy metal bracket for fixing the filter to the wall

Technical features

Operating pressure: from 0.5 to 1000 absolute mbar

Fluid temperature: from -5 to +50°C

Level of filtration: 60 μ



Item	d	A	B	C	D	E	G	H	I	L	M	N	O	P	Flow rate max	Capacity	Cartridge spare part	Vacuum gauge spare part	Sealing spare part	Weight
	Ø				Ø								Ø		m ³ /h	L	item	item	item	Kg
FS 5	G3/8"	461	130	175	200	25	100	250	111	150	25	140	10	136	10	6.0	00 FB 03	09 05 10	00 FS 36	5.5
FS 10	G3/8"	551	130	175	200	25	100	340	111	150	25	140	10	136	10	8.5	00 FB 22	09 05 10	00 FS 36	6.0
FS 20	G1/2"	630	130	175	200	25	100	410	120	150	25	140	10	145	20	10.5	00 FB 22	09 05 10	00 FS 36	6.8
FS 25	G3/4"	750	150	195	240	25	100	510	140	170	30	170	11	180	40	19.5	00 FB 22	09 05 10	00 FS 36	9.1
FS 30	G1"	890	190	225	300	30	120	610	160	200	40	205	11	220	70	38.0	00 FB 34	09 05 10	00 FS 41	19.2
FS 50	G2"	980	190	225	300	30	120	610	250	200	40	250	11	276	300	38.0	00 FB 45	09 05 10	00 FS 41	22.7

Transformation ratio: N (newton) = Kg x 9.81 (force of gravity)

inch = $\frac{\text{mm}}{25.4}$; pounds = $\frac{\text{g}}{453.6} = \frac{\text{Kg}}{0.4536}$

Adapters for GAS - NPT threading available on page 1.130