



FP SERIES FILTERING CARTRIDGE CONTAINERS WITH COMPRESSION SEALING

The containers of the FP series are suited for the filtering cartridges with compression sealing and are composed of a transparent plastic container and a blue plastic head screwed together with an interposed seal. The number after the item indicates the length in inches of the necessary filtering cartridge.

The cartridge can be chosen in various materials:

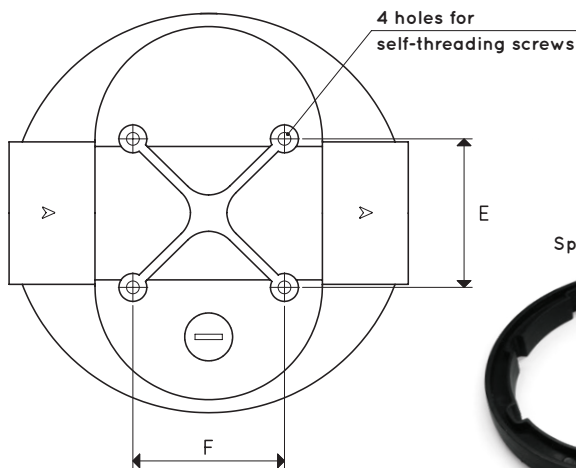
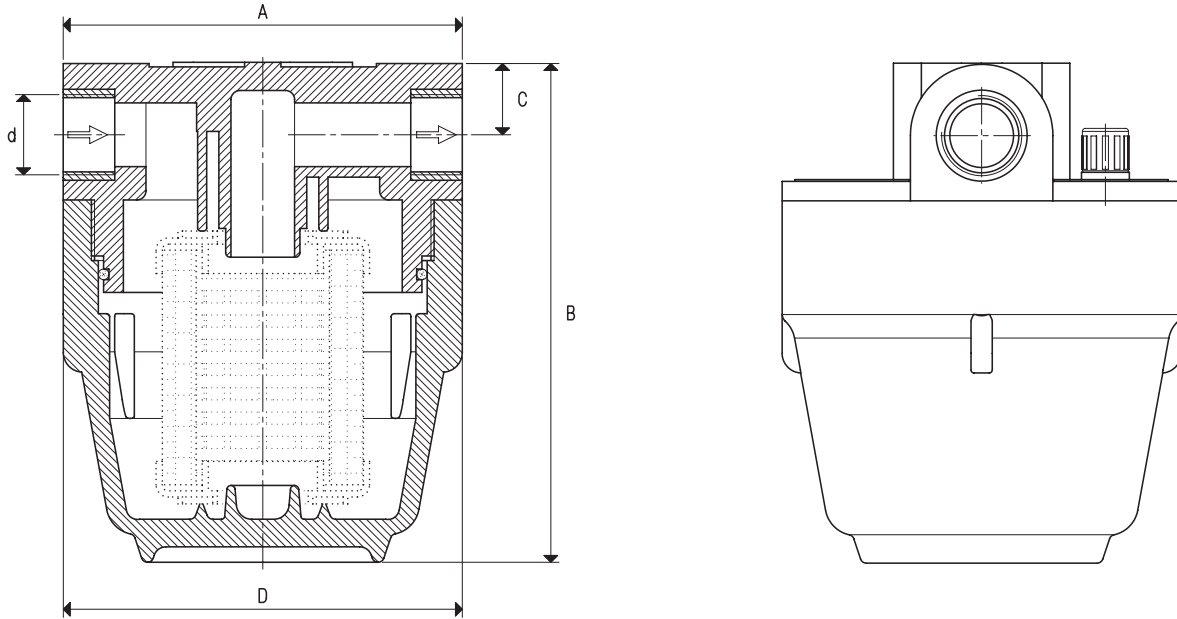
pleated paper, pleated polypropylene mesh and stainless steel mesh AISI 304.

The following pages describe the filtering cartridges with compression sealing, with all the indications regarding dimensions, materials and filtering degree of each one of them.

Technical features

Operating pressure: from 0.5 to 9000 absolute mbar

Temperature of suctioned fluid: from -10 to 45°C



Item	d Ø	A	B	C	D Ø	E	F	Max flow rate m ³ /h	Cartridge length	For cartridge item	Weight Kg
FP 25/4	G3/4"	130	163	21	130	49	50	70	4"	SP/4 - SS/4 - SA/4	0.84
FP 30/4	G1"	143	169	24	130	50	51	100	4"	SP/4 - SS/4 - SA/4	0.91
FP 25/7	G3/4"	130	250	21	130	49	50	70	7"	SP/7 - SS/7 - SA/7	0.96
FP 30/7	G1"	143	253	24	130	50	51	100	7"	SP/7 - SS/7 - SA/7	1.03
NP											

Spanner for tightening the tray

Note: The filtering cartridge is not an integral part of the filter and, therefore, must be ordered separately.

Transformation ratio: N (newton) = Kg x 9.81 (force of gravity)

inch = $\frac{\text{mm}}{25.4}$; pounds = $\frac{\text{g}}{453.6} = \frac{\text{Kg}}{0.4536}$

Adapters for GAS - NPT threading available on page 1.130