



FM SERIES QUICK COUPLING FILTERING CARTRIDGE CONTAINERS

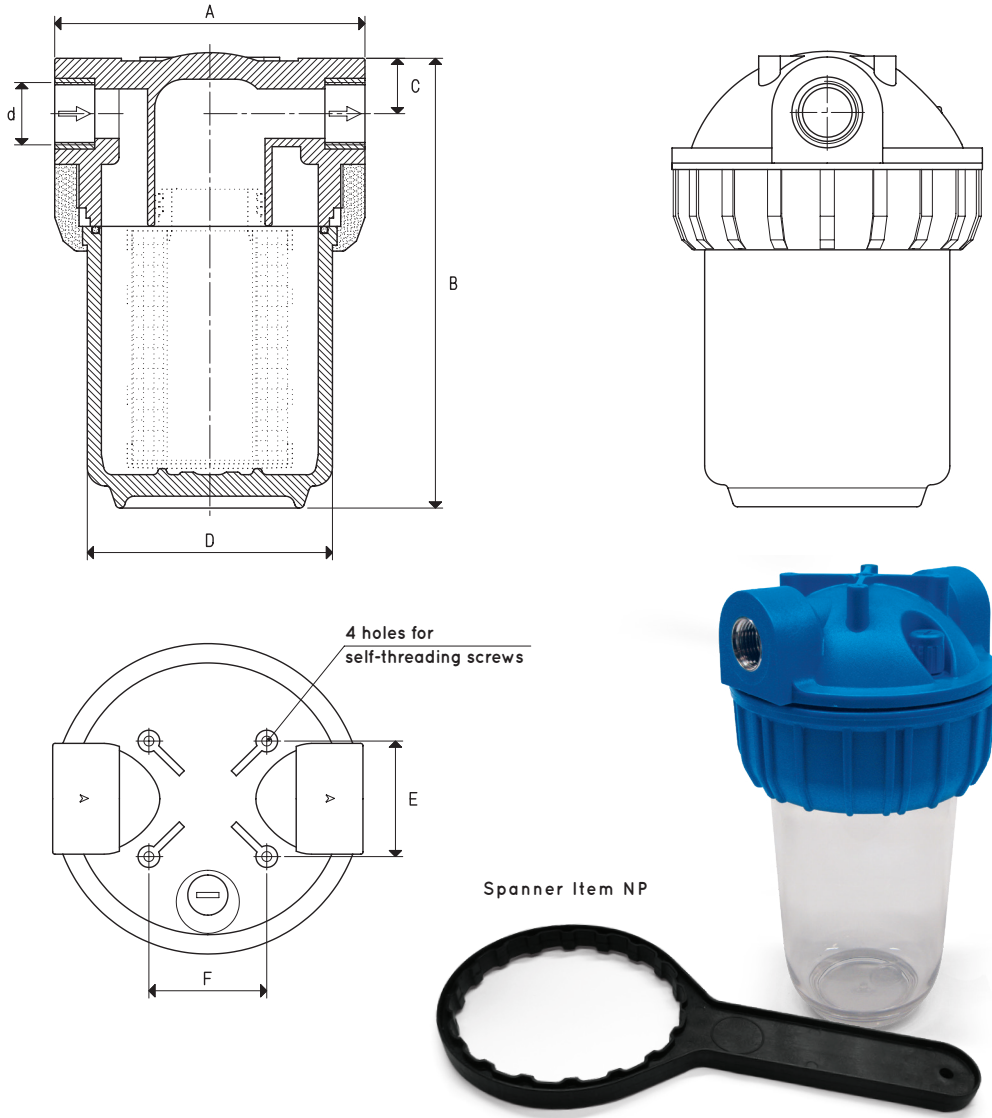
The containers of the FM series are suited for quick coupling filtering cartridges and are composed of a transparent SAN (Styrene-acrylic nitrile) container and a head with a reinforced polypropylene ring nut, coupled together with an interposed seal.

The number after the item indicates the length in inches of the necessary filtering cartridge. The cartridge can be chosen in various materials: pleated paper, pleated polypropylene mesh and AISI 304 stainless steel mesh. The quick coupling filtering cartridges are described on page 5.28, with all the indications regarding dimensions, materials and filtering degree of each one of them.

Technical features

Operating pressure: from 0.5 to 9000 absolute mbar

Temperature of suctioned fluid: from -10 to 45°C



| Item | d Ø | A | B | C | D Ø | E | F | Max flow rate m ³ /h | Cartridge length | For cartridge item | Weight Kg |
|-----------------|---------|-----|-----|----|--------|----|----|------------------------------------|---------------------|--------------------------------|--------------|
| FM 20/7 | G1/2" | 133 | 241 | 18 | 100 | 48 | 49 | 30 | 7" | RP/7 - RS/7 - RA/7 | 0.74 |
| FM 25/7 | G3/4" | 133 | 241 | 21 | 100 | 49 | 50 | 70 | 7" | RP/7 - RS/7 - RA/7 | 0.87 |
| FM 30/7 | G1" | 145 | 247 | 24 | 100 | 50 | 51 | 100 | 7" | RP/7 - RS/7 - RA/7 | 0.89 |
| FM 25/10 | G3/4" | 133 | 315 | 21 | 100 | 49 | 50 | 70 | 10" | RP/10 - RS/10 - RA/10 | 0.86 |
| FM 30/10 | G1" | 145 | 321 | 24 | 100 | 50 | 51 | 100 | 10" | RP/10 - RS/10 - RA/10 | 0.93 |
| FM 40/10 | G1" 1/4 | 145 | 345 | 35 | 100 | 50 | 51 | 160 | 10" | RP/10/57 - RS/10/57 - RA/10/57 | 1.08 |
| FM 50/10 | G1" 1/2 | 145 | 345 | 35 | 100 | 50 | 51 | 200 | 10" | RP/10/57 - RS/10/57 - RA/10/57 | 1.06 |
| FM 60/10 | G2" | 145 | 345 | 35 | 100 | 50 | 51 | 300 | 10" | RP/10/57 - RS/10/57 - RA/10/57 | 1.08 |
| FM 40/20 | G1" 1/4 | 145 | 600 | 35 | 100 | 50 | 51 | 160 | 20" | RP/20/57 - RS/20/57 - RA/20/57 | 1.36 |
| FM 50/20 | G1" 1/2 | 145 | 600 | 35 | 100 | 50 | 51 | 200 | 20" | RP/20/57 - RS/20/57 - RA/20/57 | 1.34 |
| FM 60/20 | G2" | 145 | 600 | 35 | 100 | 50 | 51 | 300 | 20" | RP/20/57 - RS/20/57 - RA/20/57 | 1.36 |
| NF | | | | | | | | | | | |

Spanner for tightening the ring nut

Note: The filtering cartridge is not an integral part of the filter and, therefore, must be ordered separately.

Transformation ratio: N (newton) = Kg x 9.81 (force of gravity)

inch = $\frac{\text{mm}}{25.4}$; pounds = $\frac{\text{g}}{453.6} = \frac{\text{Kg}}{0.4536}$

Adapters for GAS - NPT threading available on page 1.130