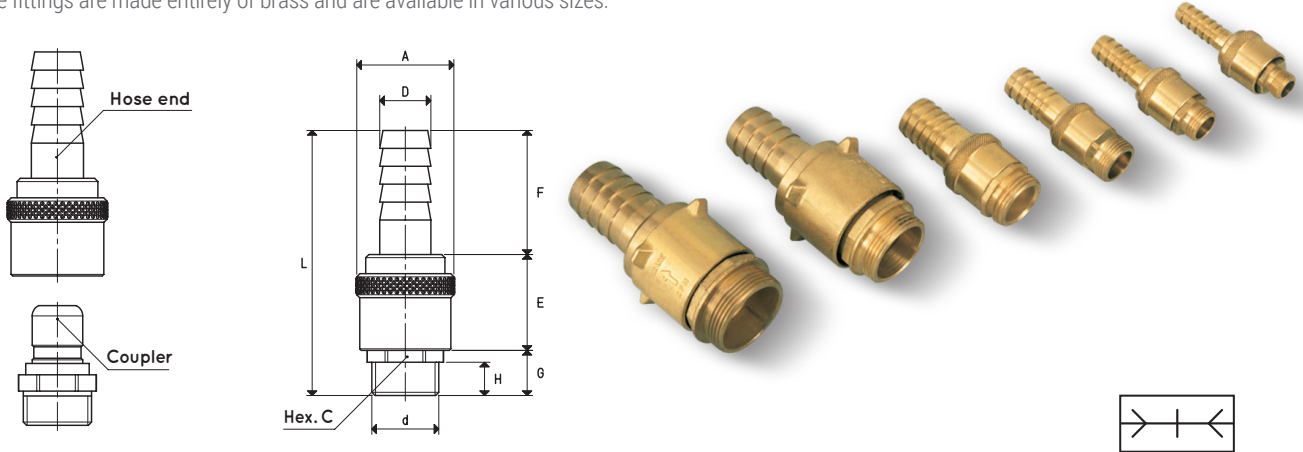




# ROTATING QUICK COUPLING FITTINGS

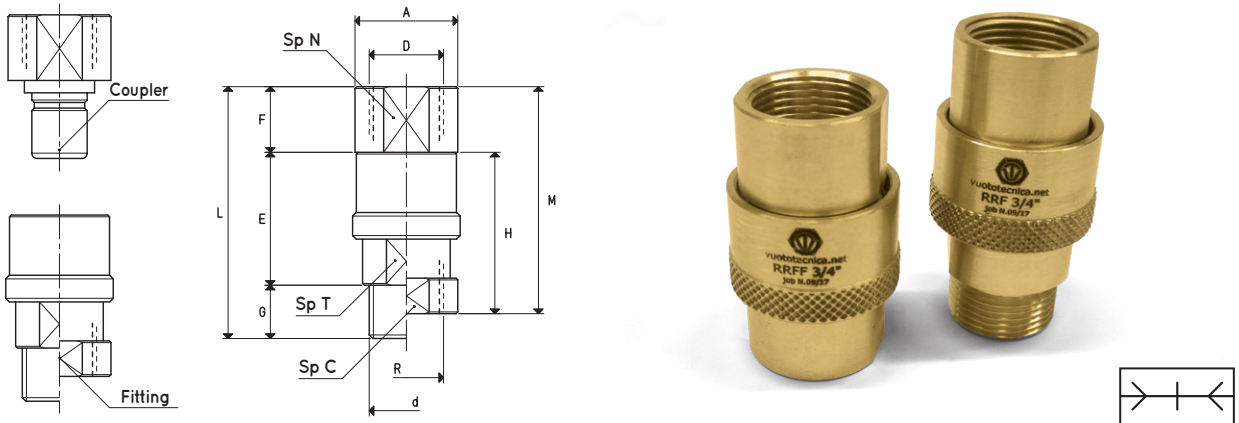
3D drawings are available on vuotecnica.net

Quick coupling fittings are composed of a jack with hose end connector and a threaded male coupler which connects itself to the jack. They are fixed by a ball ring pushed by a spring. A nitrile rubber seal guarantees a perfect vacuum seal. The structure of this type of fitting allows the two components to rotate freely at a low speed and to rapidly couple and disconnect by manually acting on the jack reeded ring nut. These fittings are fully made with brass and are available in various sizes. The two components of the fittings are quick coupling and are not self-retaining. These fittings are made entirely of brass and are available in various sizes.



Item	d	A	C	D	E	F	G	H	L	Material	Hose end	Hose end weight	Coupling	Coupling weight
	∅		∅	∅							item	g	item	g
<b>RR 3/8"</b>	G3/8"	30	21	13	29.5	39.5	14	10.5	83.0	brass	00 RR 3/8 02	100	00 RR 3/8 01	38
<b>RR 1/2"</b>	G1/2"	30	21	16	30.5	38.5	14	10.5	83.0	brass	00 RR 1/2 02	104	00 RR 1/2 01	34
<b>RR 3/4"</b>	G3/4"	30	26	20	29.0	38.5	15	10.5	82.5	brass	00 RR 3/4 02	118	00 RR 3/4 01	50
<b>RR 1"</b>	G1"	38	34	25	30.0	40.0	17	12.0	87.0	brass	00 RR 1 02	166	00 RR 1 01	92
<b>RR 1" 1/4</b>	G1" 1/4	68	42	35	49.5	49.5	24	13.5	123.0	brass	00 RR 1 1/4 02	568	00 RR 1 1/4 01	210
<b>RR 1" 1/2</b>	G1" 1/2	68	48	40	49.0	54.0	25	17.0	128.0	brass	00 RR 1 1/2 02	710	00 RR 1 1/2 01	250

Max rotation speed - 38 rpm



Item	A	C	D	d	E	F	G	H	L	M	N	R	T	Material	Fitting	Fitting weight	Coupling	Coupling weight
	∅		∅	∅								∅			item	g	item	g
<b>RRF 3/8"</b>	24.5	--	G3/8"	G3/8"	37	19.0	15	--	71.0	--	22	--	22	brass	00 RRF 3/8 02	77	00 RRF 3/8 01	58
<b>RRF 1/2"</b>	27.5	--	G1/2"	G1/2"	37	18.0	15	--	70.0	--	26	--	24	brass	00 RRF 1/2 02	79	00 RRF 1/2 01	72
<b>RRF 3/4"</b>	32.0	--	G3/4"	G3/4"	37	19.0	15	--	71.0	--	30	--	28	brass	00 RRF 3/4 02	149	00 RRF 3/4 01	132
<b>RRF 1"</b>	40.0	--	G1"	G1"	36	22.5	15	--	73.5	--	38	--	32	brass	00 RRF 1 02	369	00 RRF 1 01	355
<b>RRFF 3/8"</b>	24.5	22	G3/8"	--	--	20.0	--	42	--	62.0	22	G3/8"	--	brass	00 RRFF 3/8 02	82	00 RRF 3/8 01	58
<b>RRFF 1/2"</b>	27.5	24	G1/2"	--	--	18.0	--	42	--	60.0	26	G1/2"	--	brass	00 RRFF 1/2 02	80	00 RRF 1/2 01	72
<b>RRFF 3/4"</b>	32.0	30	G3/4"	--	--	20.0	--	42	--	62.0	30	G3/4"	--	brass	00 RRFF 3/4 02	199	00 RRF 3/4 01	132
<b>RRFF 1"</b>	40.0	38	G1"	--	--	22.5	--	56	--	78.5	38	G1"	--	brass	00 RRFF 1 02	409	00 RRF 1 01	355

Note: Add the letter V to the item for fittings supplied with a Viton seal (Example: RRF 1"V).

Max rotation speed - 38 rpm

Transformation ratio: N (newton) = Kg x 9.81 (force of gravity)

inch =  $\frac{mm}{25.4}$  ; pounds =  $\frac{g}{453.6} = \frac{Kg}{0.4536}$

Adapters for GAS - NPT threading available on page 1.130