



## FCL 4, FCL 5, FCL 6 and FCL 7 IN-LINE SUCTION FILTERS

These large in-line filters retain impurities and very fine dust, interfering with the flow rate in a negligible manner.

They are composed of a cylindrical transparent Plexiglass body closed by two anodised aluminium flanges kept in place by Seeger rings, where all the threaded male or female connections and seals are located; inside there is a filtering cartridge.

The filtering cartridges illustrated and described on this page, installed in their own container, are produced with different materials that can be identified with the following abbreviations:

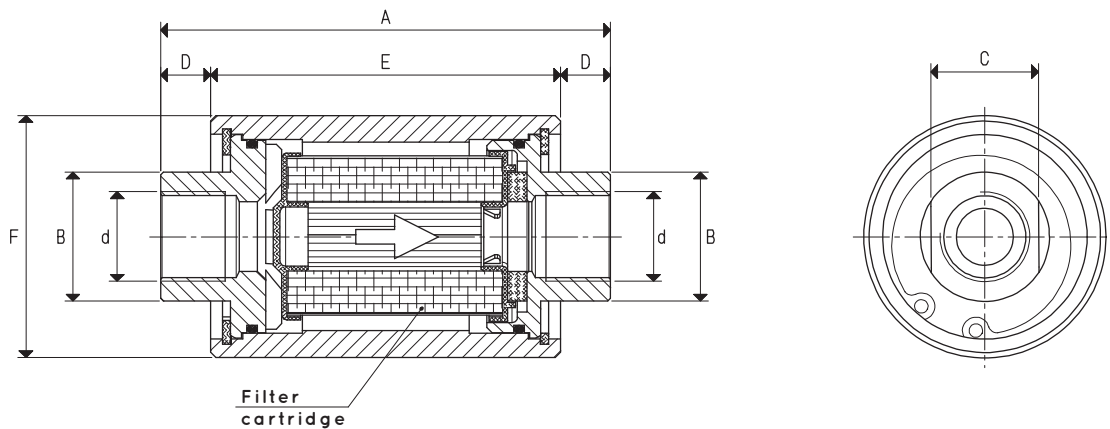
- **Series SP.** Pleated paper filtering cartridge with compression sealing.
- **Series SS.** Pleated polypropylene mesh filtering cartridge with compression sealing.
- **Series SA.** AISI 304 stainless steel mesh filtering cartridge with compression sealing.
- **Series RP.** Pleated paper quick coupling filtering cartridge with double O-ring.
- **Series RS.** Pleated polypropylene mesh quick coupling filtering cartridge with double O-ring.
- **Series RA.** AISI 304 stainless steel mesh quick coupling filtering cartridge with double O-ring.

The filters can be inspected by simply removing one of the two flanges.

### Technical features

Operating pressure: from 0.5 to 3000 absolute mbar

Fluid temperature: from -20 to +60°C

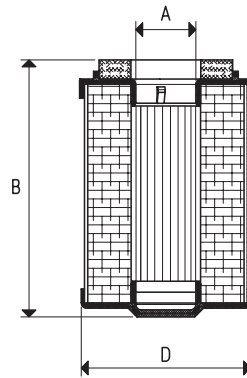


Item	d Ø	A	B Ø	C	D	E	F Ø	Flow rate max m³/h	Cartridge spare part item	Weight g
<b>FCL 4P</b>	G3/4"	207	50	44	17	173	80	40	SP/5M	1130
<b>FCL 4S</b>	G3/4"	207	50	44	17	173	80	40	SS/5M	1135
<b>FCL 4A</b>	G3/4"	207	50	44	17	173	80	40	SA/5M	1160
<b>FCL 5P</b>	G1"	207	50	60	17	173	80	70	SP/5M	1120
<b>FCL 5S</b>	G1"	207	50	60	17	173	80	70	SS/5M	1125
<b>FCL 5A</b>	G1"	207	50	60	17	173	80	70	SA/5M	1150
<b>FCL 6P</b>	G1" 1/2	207	70	60	17	173	110	200	RP/5	1290
<b>FCL 6S</b>	G1" 1/2	207	70	60	17	173	110	200	RS/5	1300
<b>FCL 6A</b>	G1" 1/2	207	70	60	17	173	110	200	RA/5	1350
<b>FCL 7P</b>	G2"	332	78	70	17	298	110	300	RP/10/57	1430
<b>FCL 7S</b>	G2"	332	78	70	17	298	110	300	RS/10/57	1445
<b>FCL 7A</b>	G2"	332	78	70	17	298	110	300	RA/10/57	1500

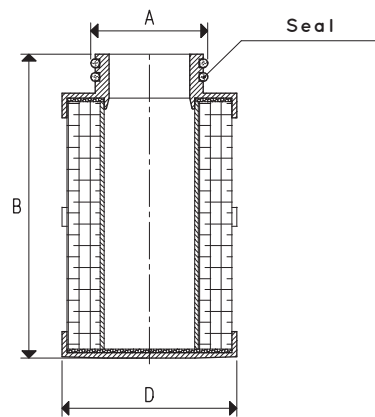
Transformation ratio: N (newton) = Kg x 9.81 (force of gravity)

inch =  $\frac{\text{mm}}{25.4}$  ; pounds =  $\frac{\text{g}}{453.6} = \frac{\text{Kg}}{0.4536}$

Adapters for GAS - NPT threading available on page 1.130



Item	A Ø	B	D Ø	Cartridge length	For container item	Level of filtration micron
SP/5M	20	122	50	5"	FCL 4 P - FCL 5 P	25
SS/5M	20	122	50	5"	FCL 4 S - FCL 5 S	50
SA/5M	20	122	50	5"	FCL 4 A - FCL 5 A	50



Item	A Ø	B	D Ø	Cartridge length	For container item	Level of filtration micron
RP/5	45	130	70	5"	FCL 6 P	25
RS/5	45	130	70	5"	FCL 6 S	50
RA/5	45	130	70	5"	FCL 6 A	50
RP/10/57	45	250	70	10"	FCL 7 P	25
RS/10/57	45	250	70	10"	FCL 7 S	50
RA/10/57	45	250	70	10"	FCL 7 A	50