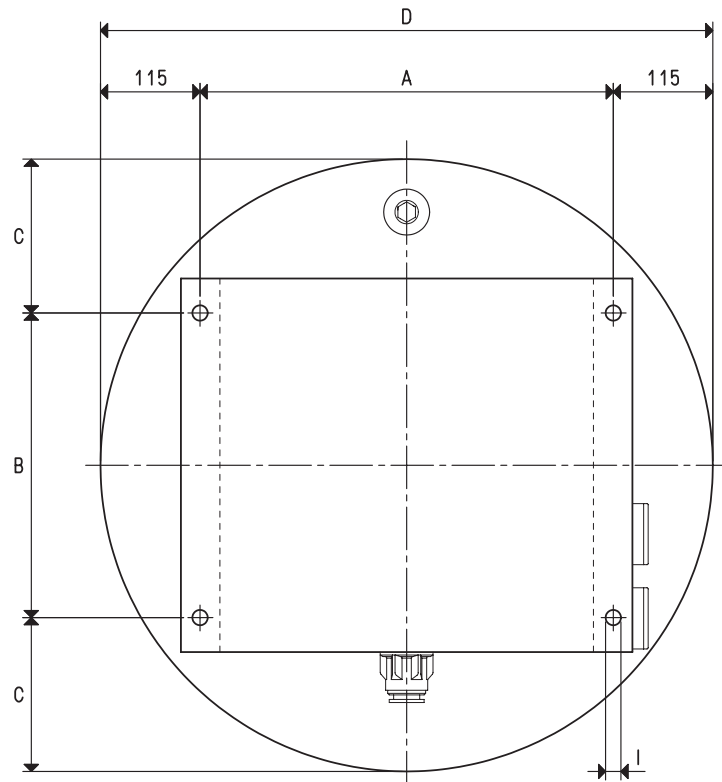
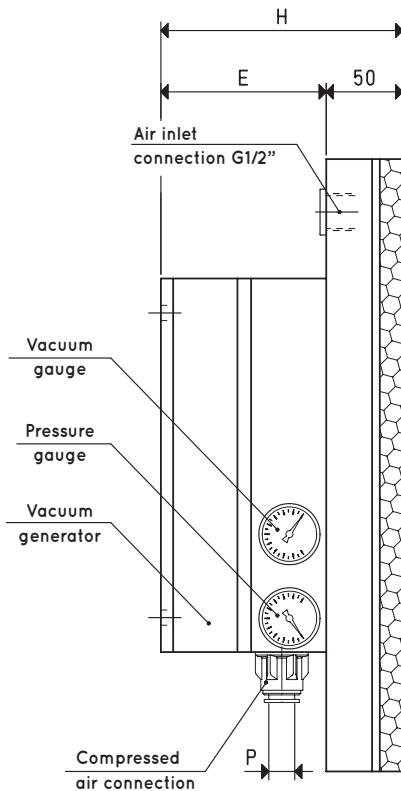


# ROUND OCTOPUS VACUUM GRIPPING SYSTEM



Item		SO DO 35 X	SO DO 50 X
Suction plate	item	PX DO 35	PX DO 50
Gripping force	Kg	65.4	139.6
Fitted for vacuum generator	item	N°1 PVP 170 M PO	N°1 PVP 300 MD PO
Maximum supply pressure	bar	6	6
Maximum level of vacuum	-KPa	90	90
Air consumption at 6 bar	Nl/s	16.3	32.0
Intake air flow rate	m³/h	182.0	400.0
Temperature of use	°C	-20 / +80	-20 / +80
Weight	Kg	9.5	17.0
A		120	270
B		264	200
C		43	150
D	∅	350	500
E		96	108
H		146	158
I		8.5	10.5
P	Connection for compressed air tube	∅ ext. 15	15

NOTE: The code SO DO . X only identifies the OCTOPUS system body with relative suction plate PX.

The vacuum generator indicated in the table is not included with the OCTOPUS system and therefore must be ordered separately with its own code.

NOTE: All vacuum values indicated in the table are valid at the normal atmospheric pressure of 1013 mbar and obtained with a constant supply pressure.

Vacuum generator supply must be carried out with non-lubricated compressed air, 5 micron filtration, in accordance with standard ISO 8573-1 class 4.

Transformation ratio: N (newton) = Kg x 9.81 (force of gravity)

$$\text{inch} = \frac{\text{mm}}{25.4} ; \text{pounds} = \frac{\text{g}}{453.6} = \frac{\text{Kg}}{0.4536}$$