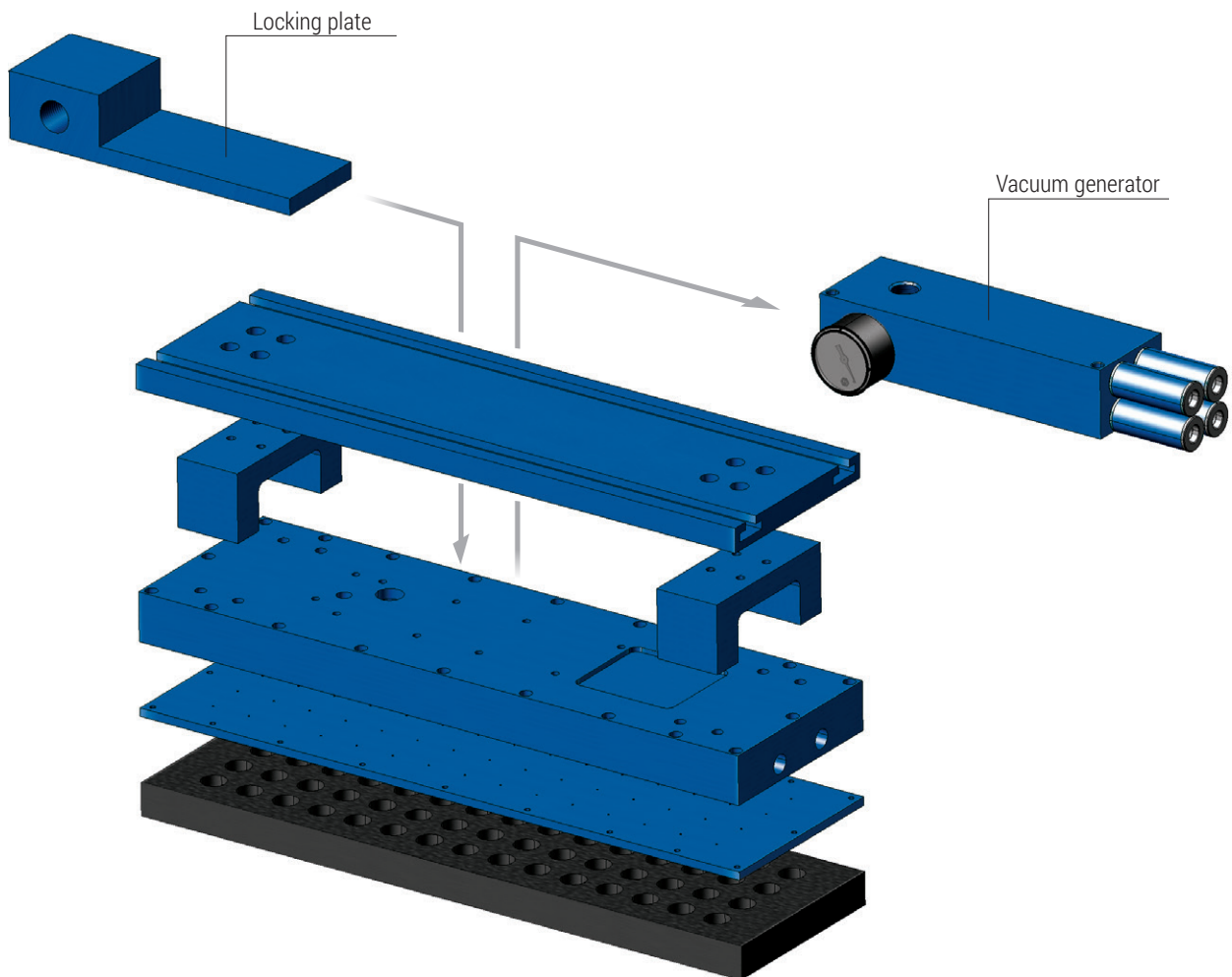


LOCKING PLATE WITH DISTRIBUTOR FOR OCTOPUS GRIPPING BARS WITHOUT VACUUM GENERATOR

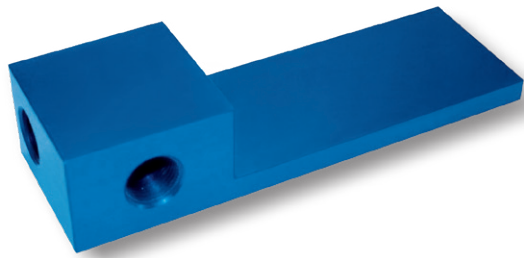
The locking plates with distributor described on this page have been designed to connect an OCTOPUS gripping bar to a remotely installed vacuum generator or to an alternative vacuum source. The plate, made of anodised aluminium, is fastened with screws to the body of the OCTOPUS bar in place of the generator. The distributor is equipped with connections for direct connection to the OCTOPUS bar, to the generator or to the alternative vacuum source and to the instruments for reading and control of the level of vacuum. The unused connections can be closed with the metal caps provided.

The locking plate with distributor is suitable for all OCTOPUS gripping bars that use vacuum generators PVP 12 MX and PVP 25 MX.

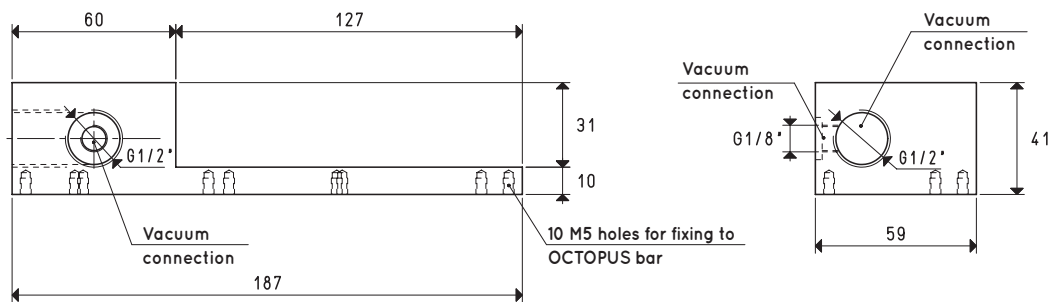




LOCKING PLATE WITH DISTRIBUTOR FOR OCTOPUS GRIPPING BARS WITHOUT VACUUM GENERATOR



Item	For OCTOPUS gripping bars
00 BO 07	BO 08 60 X - BO 08 80 X
	BO 08 100 X - BO 08 120 X
	BO 12 40 X - BO 12 60 X
	BO 12 80 X - BO 12 100 X
	BO 12 120 X - BO 12 140 X

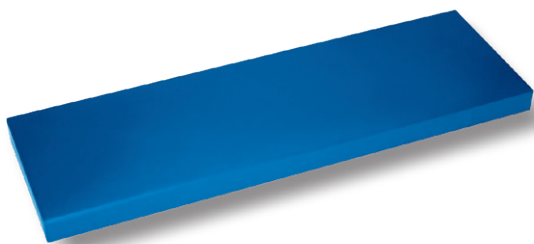


LOCKING PLATE FOR OCTOPUS GRIPPING BARS WITHOUT VACUUM GENERATOR

Use the locking plate illustrated and described on this page to close the suction holes on the body of the OCTOPUS bar, left free by the removal of the vacuum generator.

The plate, made of anodised aluminium, is fastened with screws to the body of the OCTOPUS bar in place of the generator. The seal with which it is provided ensures a perfect vacuum seal.

The locking plate is suitable for all OCTOPUS gripping bars that use vacuum generators PVP 12 MX and PVP 25 MX.



Item	For OCTOPUS gripping bars
00 BO 06	BO 08 60 X - BO 08 80 X
	BO 08 100 X - BO 08 120 X
	BO 12 40 X - BO 12 60 X
	BO 12 80 X - BO 12 100 X
	BO 12 120 X - BO 12 140 X

