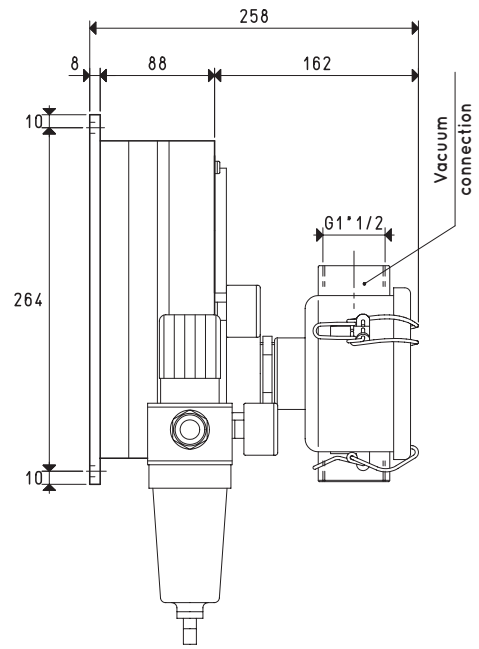
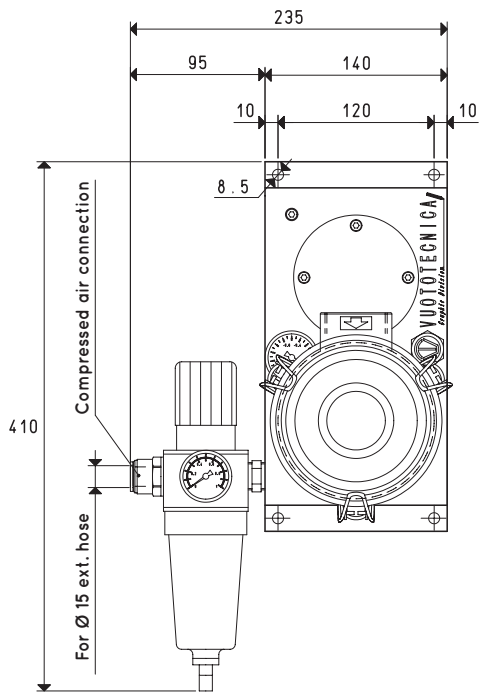




PNEUMATIC SUCTION PUMPS PA 140, PA 170 and PA 200

3D drawings are available on vuototecnica.net



Item		PA 140					
Supply pressure	bar	1	2	3	4	5	6
Maximum level of vacuum	-KPa	15	35	55	70	85	90
Air consumption	Nl/s	4.1	6.2	8.3	9.6	11.4	13.0
Intake air flow rate	m³/h	45	80	106	125	140	152
Weight	Kg	7.2					
Item		PA 170					
Supply pressure	bar	1	2	3	4	5	6
Maximum level of vacuum	-KPa	15	35	55	70	85	90
Air consumption	Nl/s	5.1	7.7	10.3	12.1	14.2	16.3
Intake air flow rate	m³/h	53	98	128	150	168	182
Weight	Kg	7.2					
Item		PA 200					
Supply pressure	bar	1	2	3	4	5	6
Maximum level of vacuum	-KPa	15	35	55	70	85	90
Air consumption	Nl/s	6.0	9.1	12.2	14.2	16.9	19.4
Intake air flow rate	m³/h	60	110	142	170	188	200
Weight	Kg	7.2					
Operating temperature	°C	-20 / +80					

NOTE: All vacuum values indicated in the table are valid at the normal atmospheric pressure of 1013 mbar and obtained with a constant supply pressure.

Vacuum generator supply must be carried out with non-lubricated compressed air, 5 micron filtration, in accordance with standard ISO 8573-1 class 4.

Transformation ratio: N (newton) = Kg x 9.81 (force of gravity)

inch = $\frac{mm}{25.4}$; pounds = $\frac{g}{453.6} = \frac{Kg}{0.4536}$

Adapters for GAS - NPT threading available on page 1.130