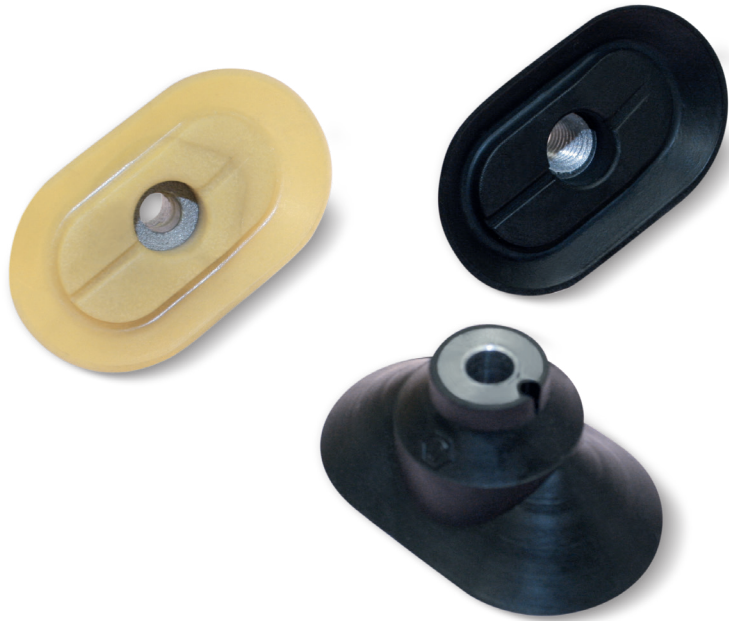




ELLIPTICAL VACUUM CUPS WITH VULCANISED SUPPORT

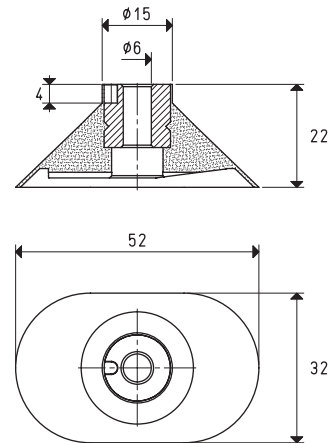
The cups described on this page have been designed for handling X-ray sheets in hospital or other electrostatically charged films. Their original shape allows them to pick up one sheet at a time without deforming or crumpling the gripping surface and without leaving stains or prints, thanks to the special compound with which they are made. Their aluminium supports are vulcanised onto the cups. One with a smooth hole for fixing the cup to the machine with an Allen screw, with the housing on the inside and one with a threaded hole. A side slot on the support prevents the cup from rotating. These cups are recommended for gripping and handling magnetic sheets, plastic sheets, thin rubber sheets, laminated cardboard, etc.



VACUUM CUP WITH VULCANISED SUPPORT

Item	Force Kg	Volume cm ³	Support material	Weight g
08 32 52 A	3.00	3.1	aluminium	12.1

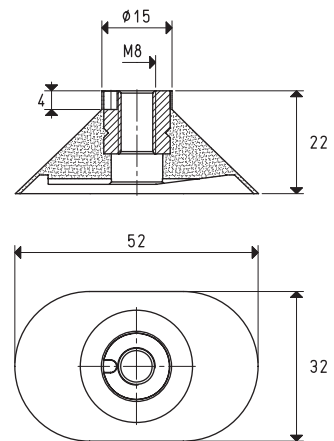
Compound: A = oil-resistant rubber



VACUUM CUP WITH VULCANISED SUPPORT

Item	Force Kg	Volume cm ³	Support material	Weight g
08 32 99 A	3.00	3.1	aluminium	11.9

Compound: A = oil-resistant rubber



Note: The force of the vacuum cups indicated in the table represents 1/3 of the value of the theoretical force calculated at a level of vacuum of -75 KPa and a factor of safety 3.

Transformation ratio: N (newton) = Kg x 9.81 (force of gravity) inch = $\frac{\text{mm}}{25.4}$; pounds = $\frac{\text{g}}{453.6} = \frac{\text{Kg}}{0.4536}$